

A.B.C. ARRAY

NOTE:

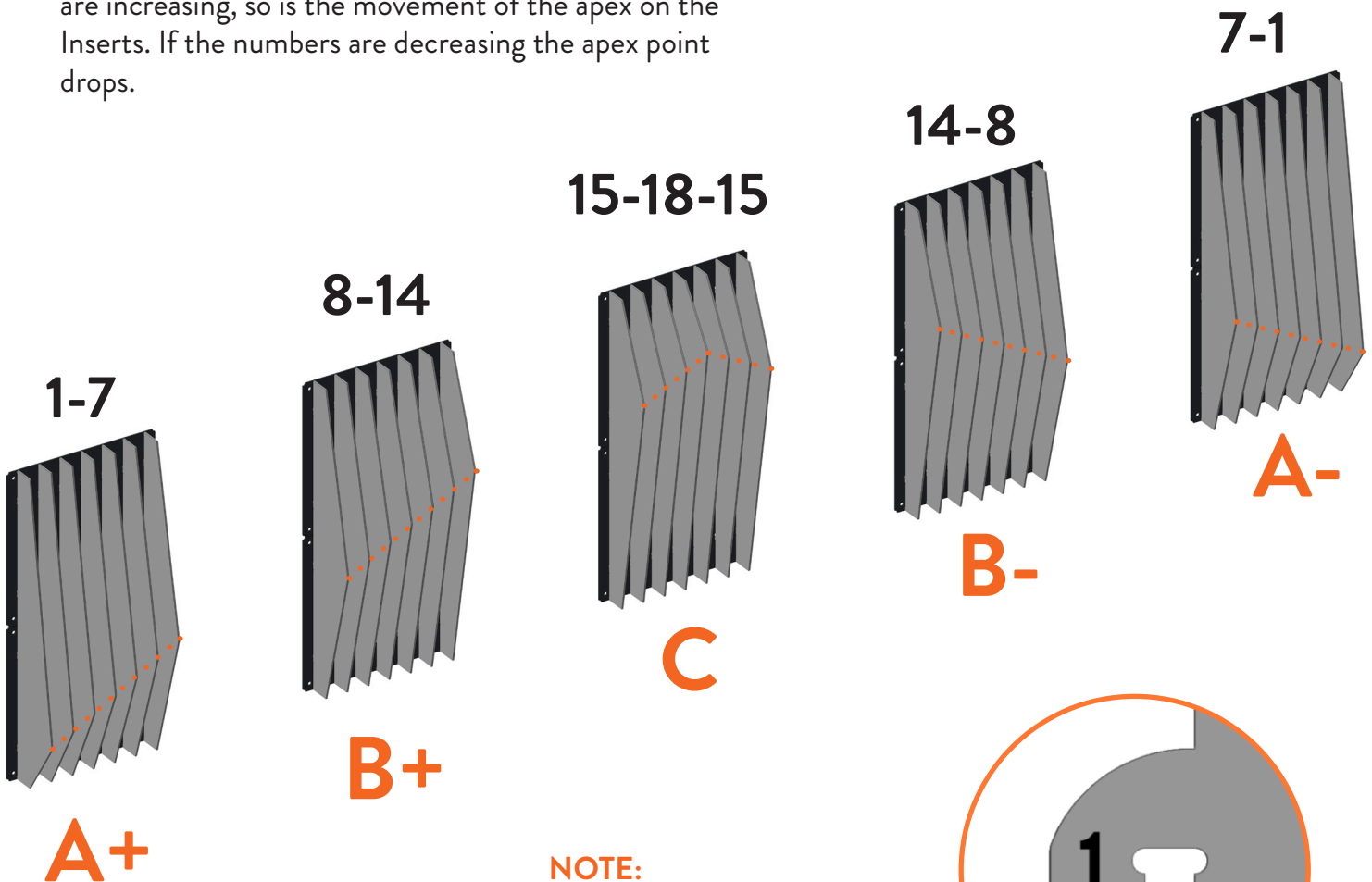
The Instructions reflect building a SlotLok Vector A.B.C. array. Each array consists of 5 SlotLok units.

REVISION DATE: 9/6/25

VECTOR A.B.C. ARRAY

NOTE:

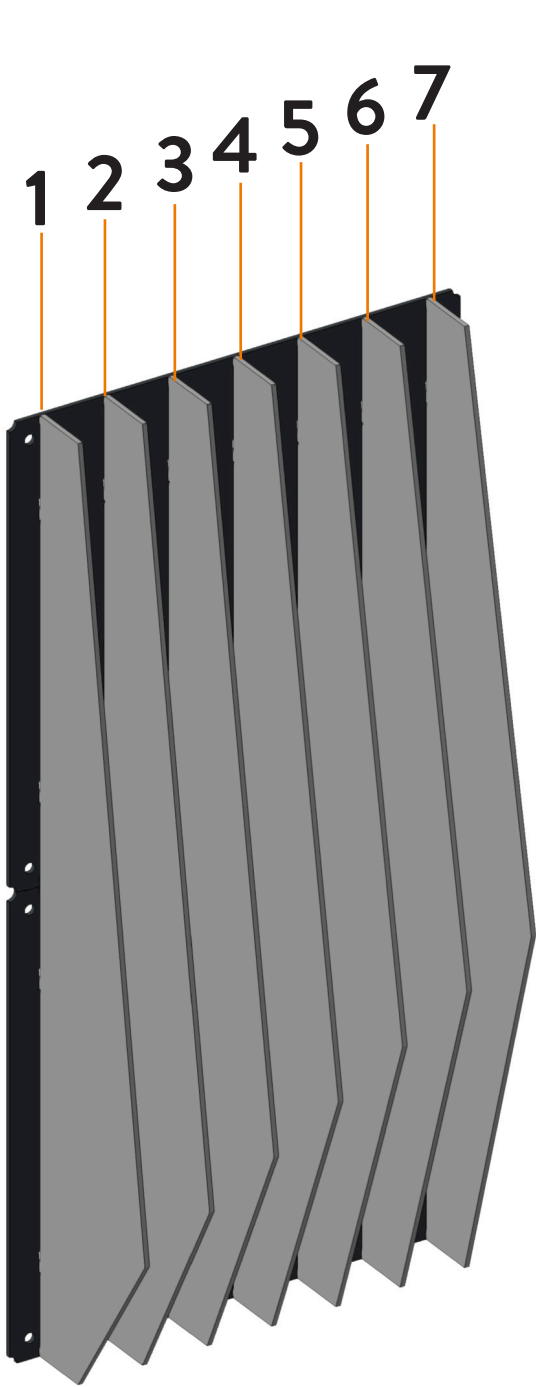
- Orange dotted line highlights the apex point of the SlotLok Vector Inserts. When ordered correctly, the full Vector A.B.C. Array creates a pattern with a flowing apex point that rises to a peak in the center then flows back down. Our numbering system also follows that flow! From left to right if the numbers are increasing, so is the movement of the apex on the Inserts. If the numbers are decreasing the apex point drops.



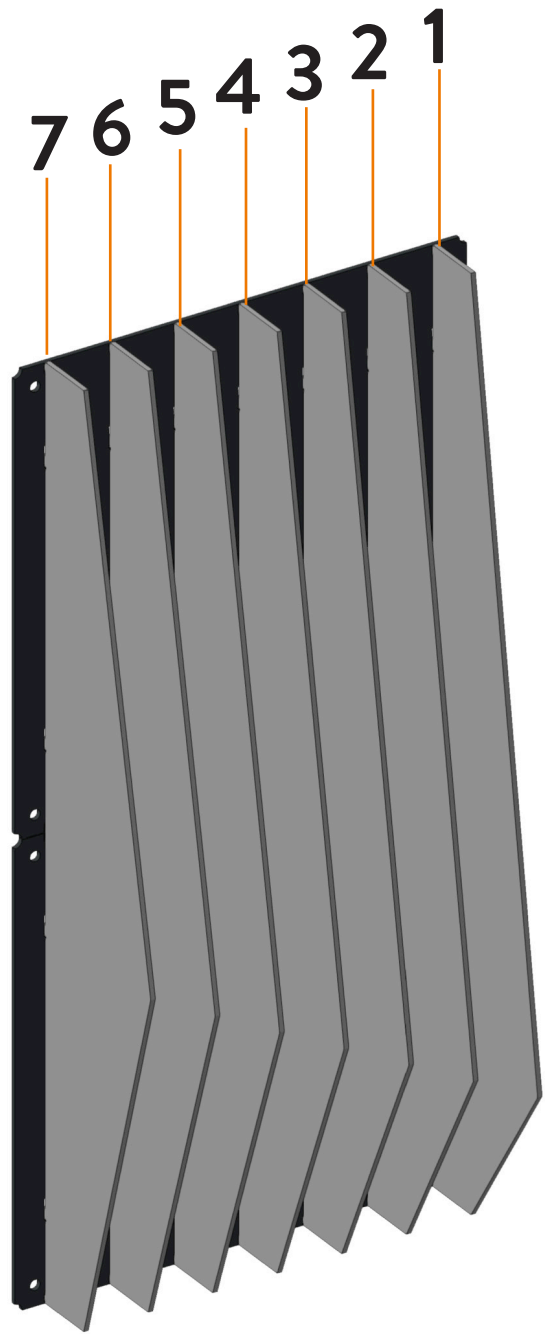
NOTE:

- SlotLok Inserts are numbered on their top hook. Lock Inserts into Slotlok Base Panels from left to right.

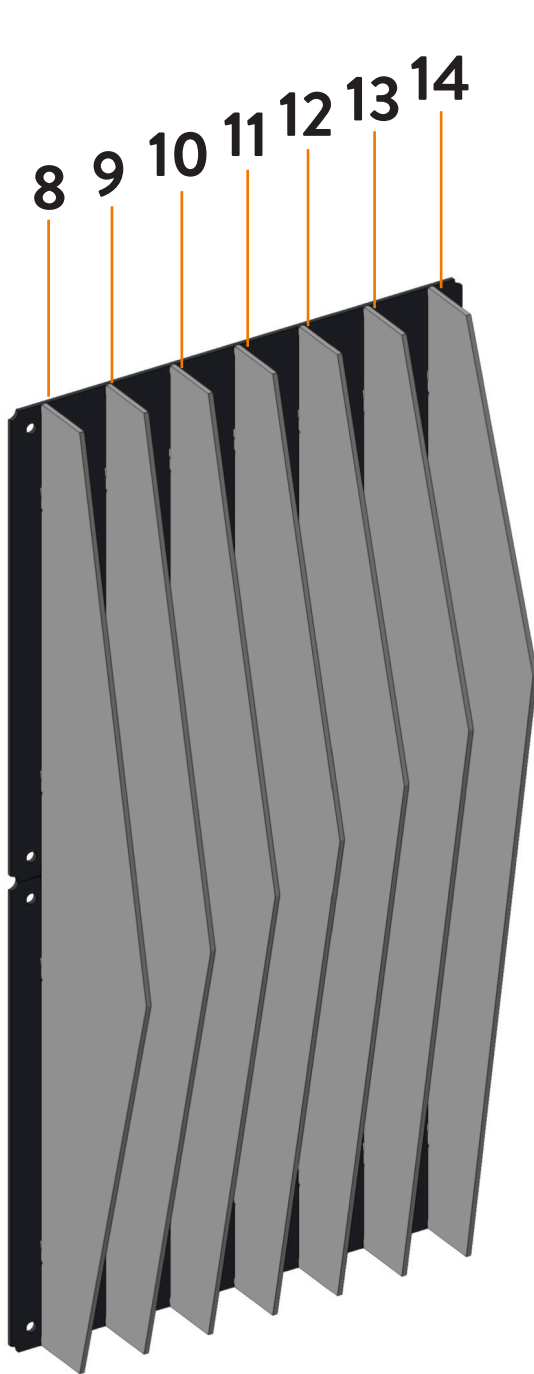




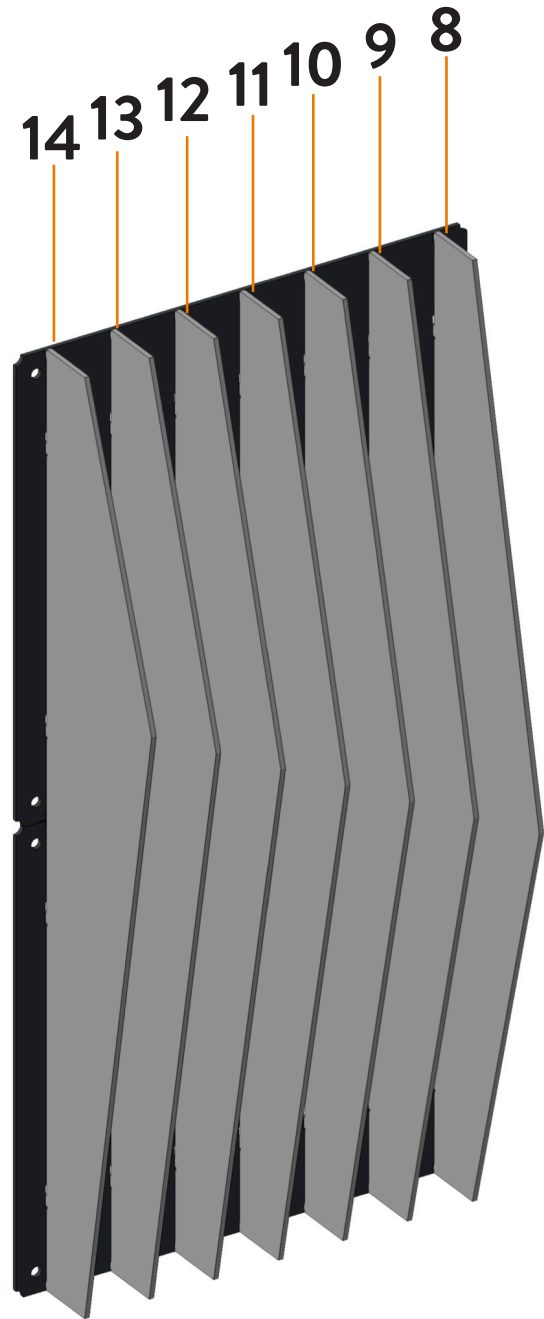
A+



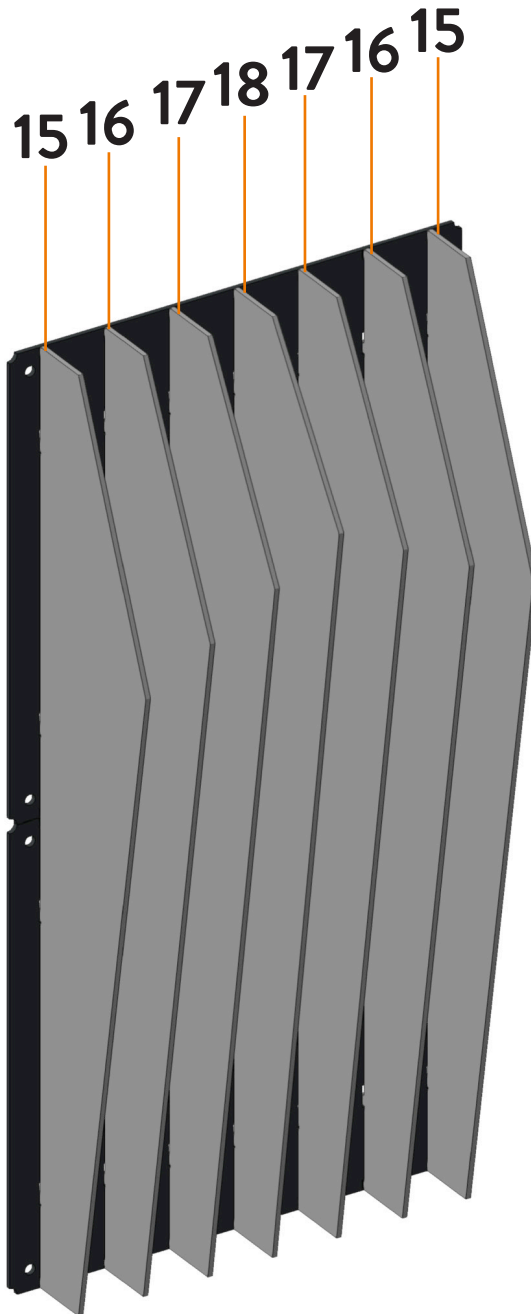
A-



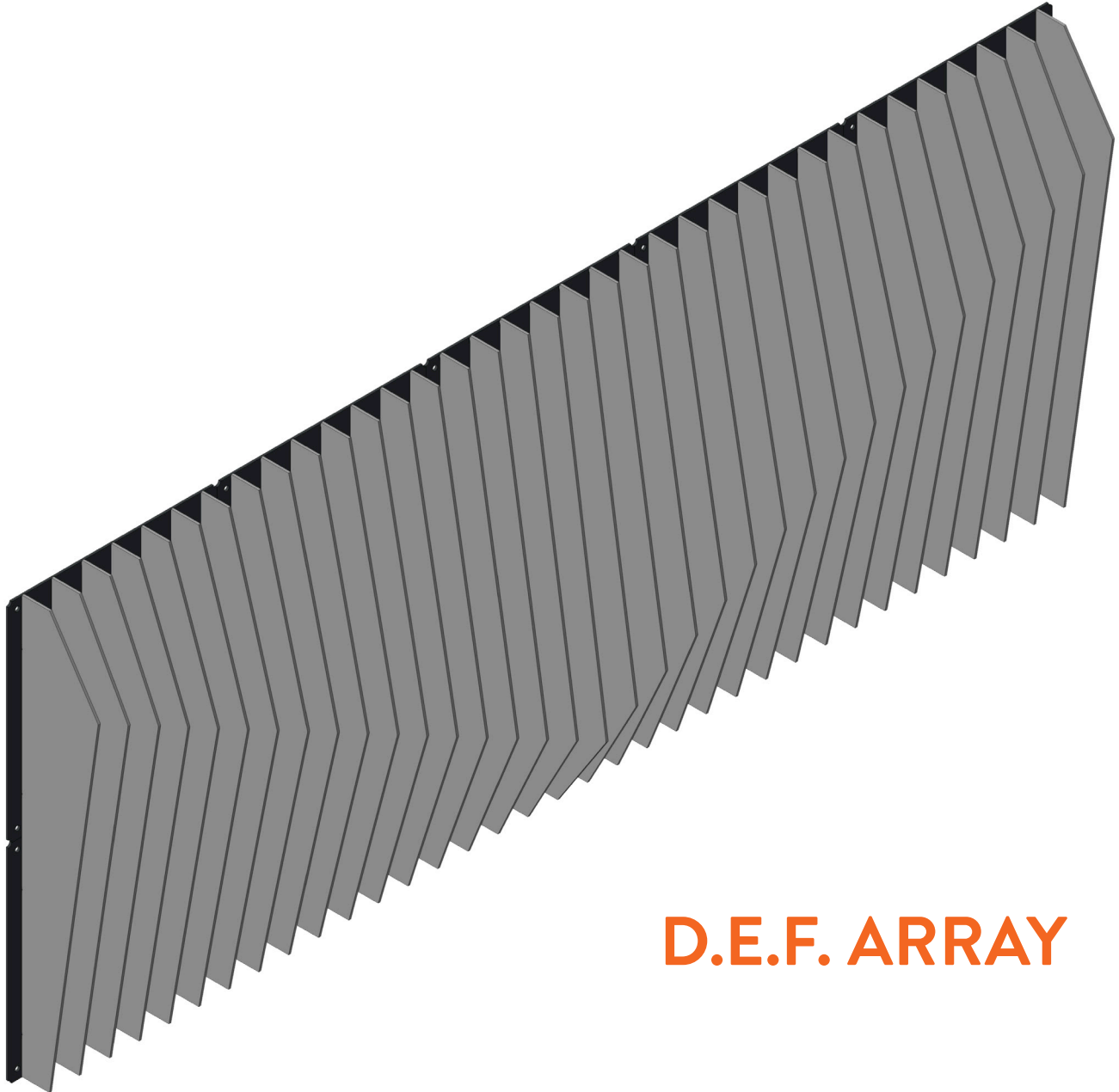
B+



B-



C



D.E.F. ARRAY

NOTE:

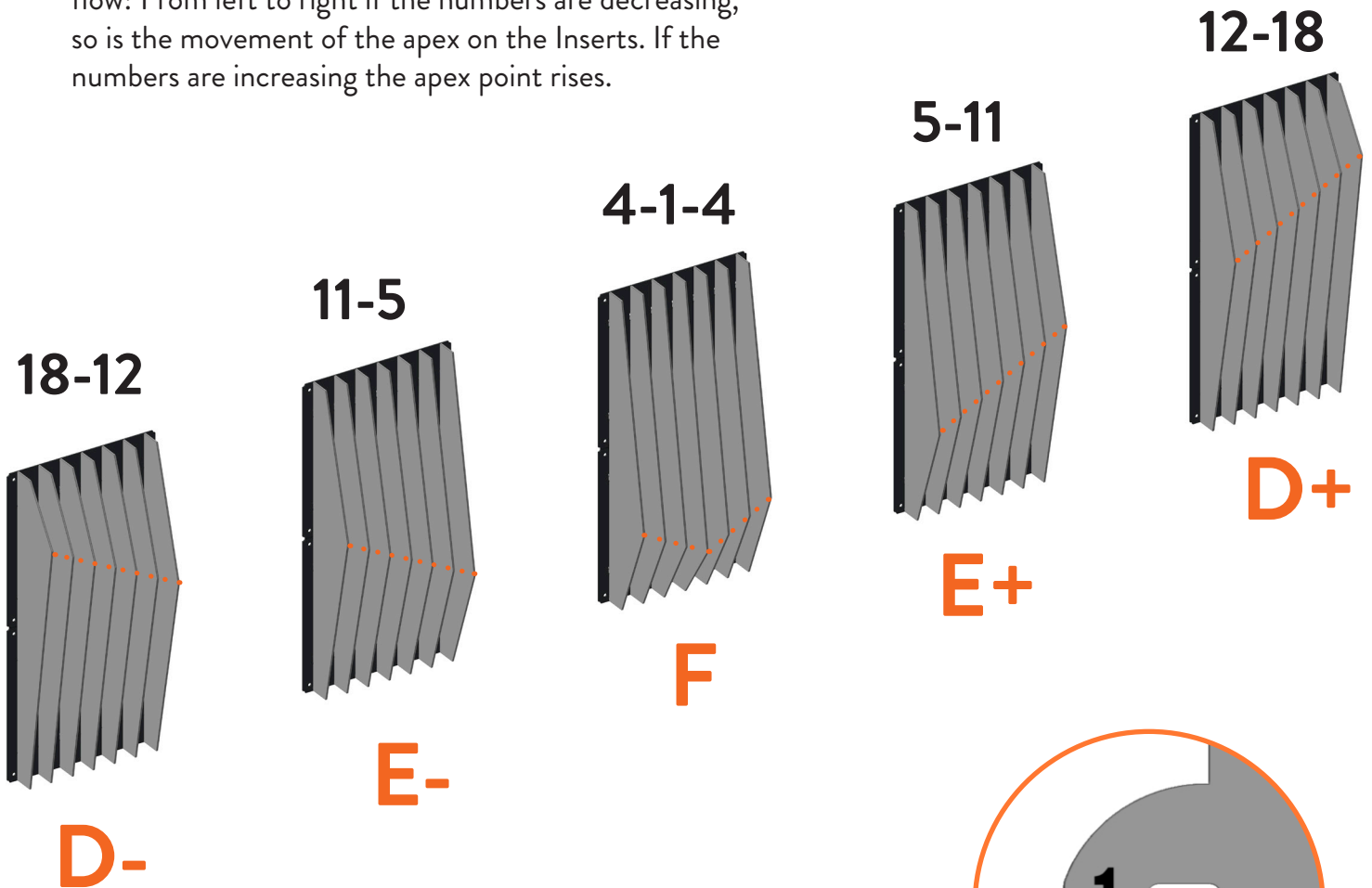
The Instructions reflect building a SlotLok Vector D.E.F. array.
Each array consists of 5 SlotLok units.

REVISION DATE: 9/6/25

VECTOR D.E.F. ARRAY

NOTE:

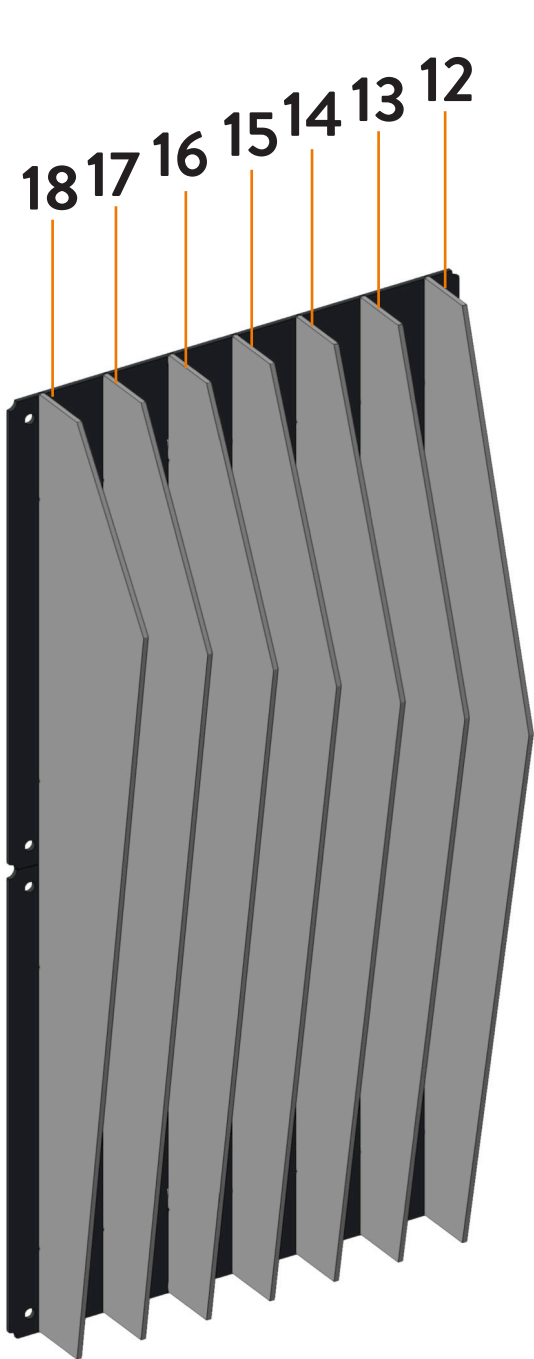
- Orange dotted line highlights the apex point of the SlotLok Vector Inserts. When ordered correctly, the full Vector D.E.F. Array creates a pattern with a flowing apex point that falls to a valley in the center then flows back up. Our numbering system also follows that flow! From left to right if the numbers are decreasing, so is the movement of the apex on the Inserts. If the numbers are increasing the apex point rises.



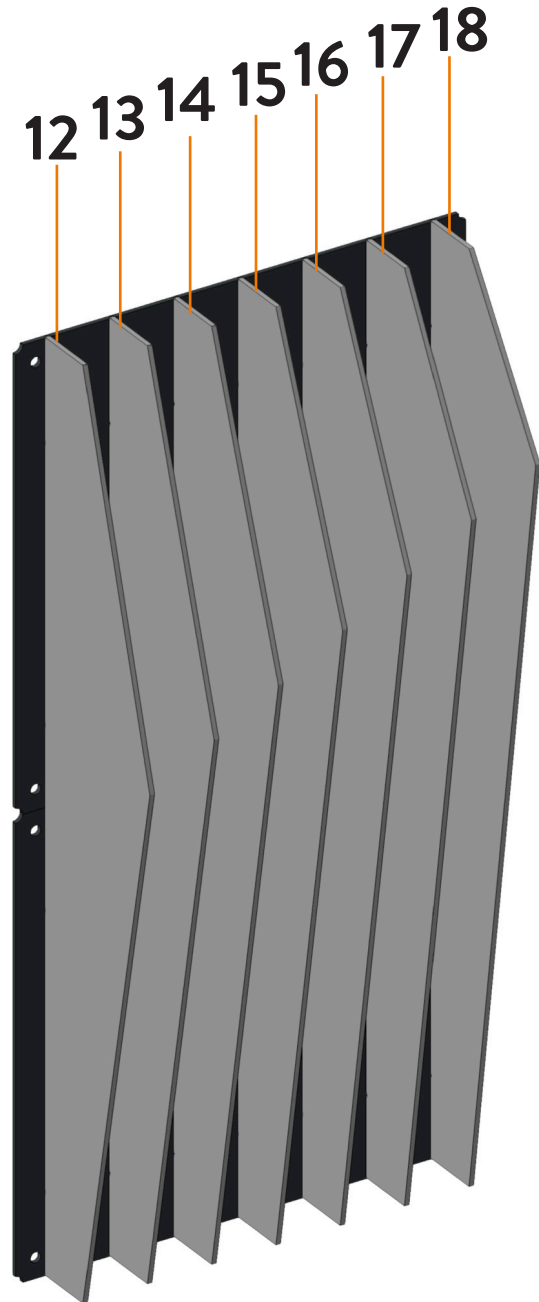
NOTE:

- SlotLok Inserts are numbered on their top hook. Lock Inserts into Slotlok Base Panels from left to right.

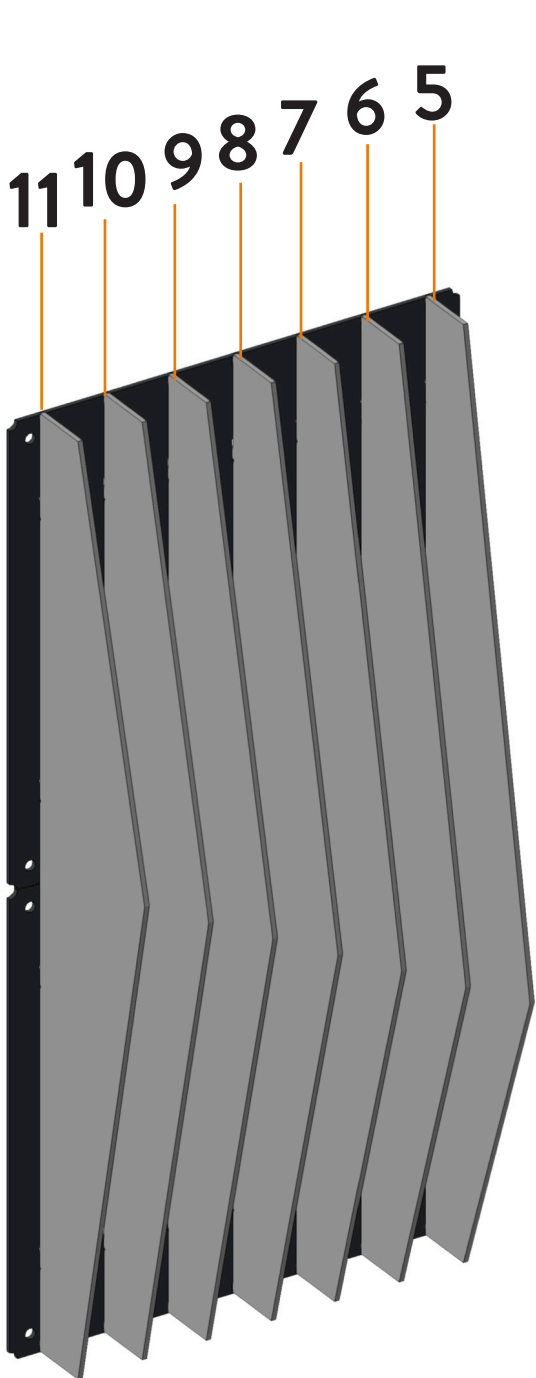




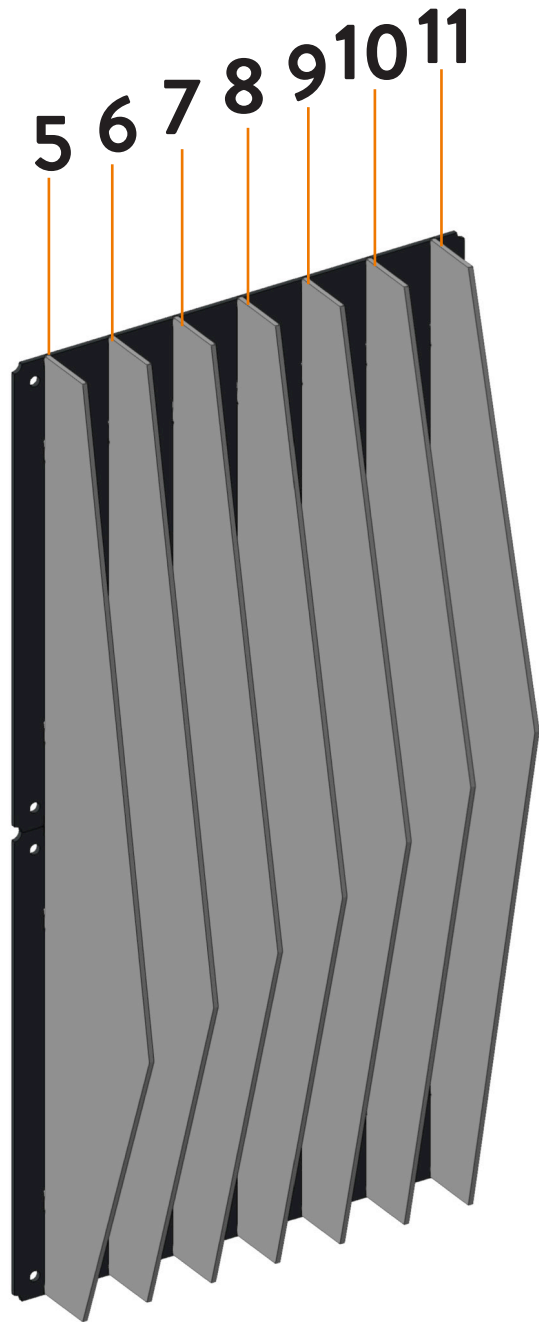
D-



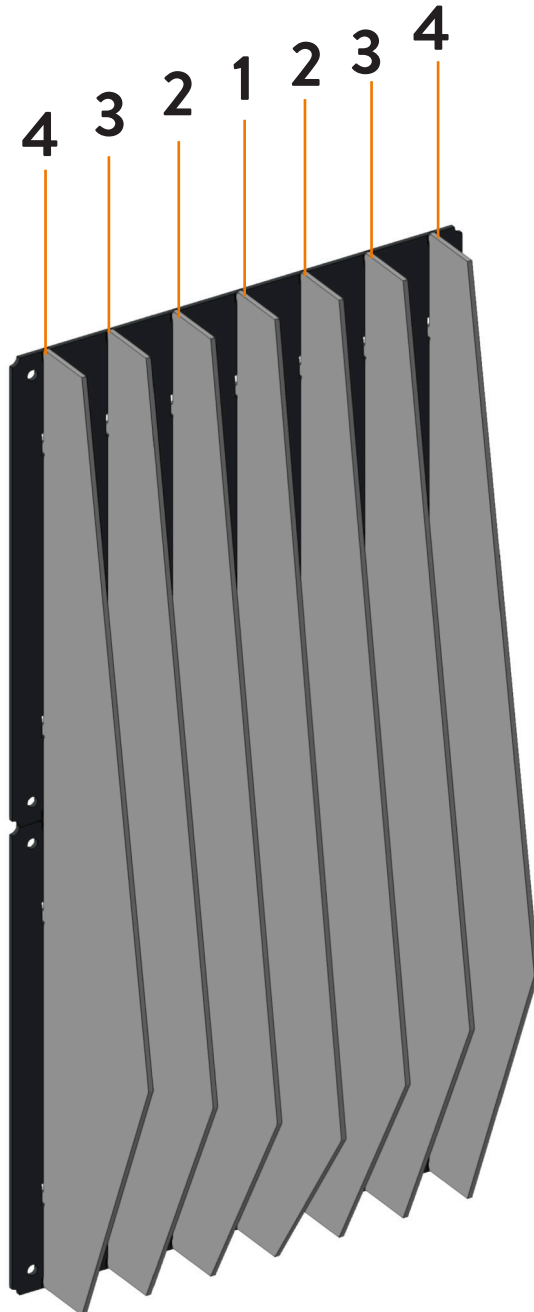
D+



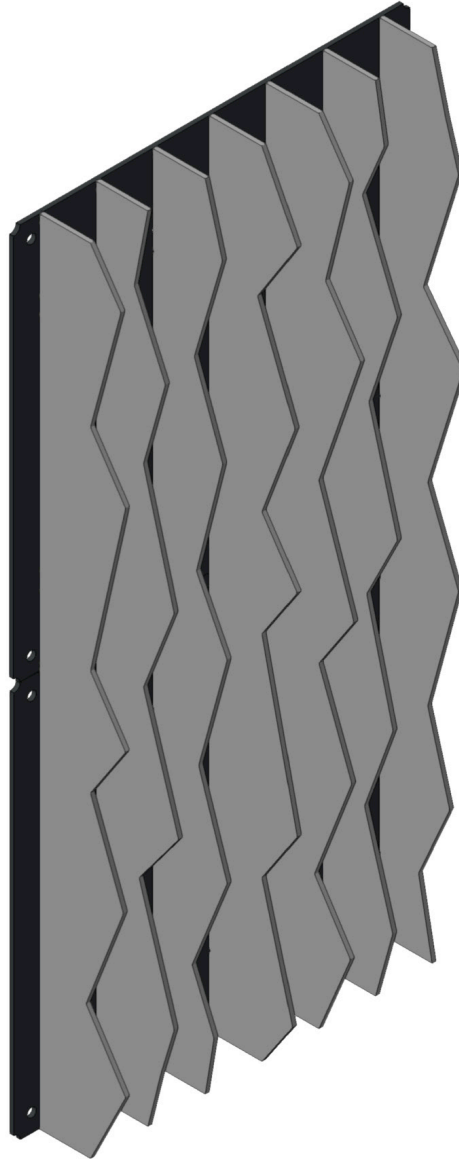
E-



E+



F



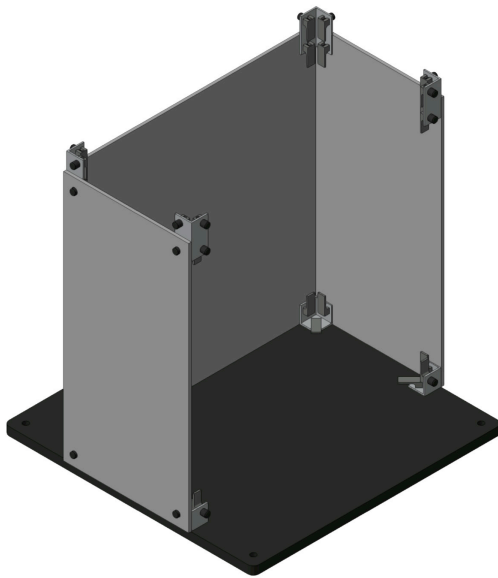
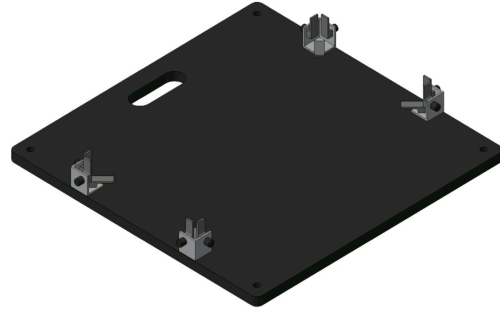
NOTE:

Actual product may vary. SlotLok Inserts are interchangeable and instructions show a product representation. The Instructions reflect building a single SlotLok Shard Unit for illustration purposes.

REVISION DATE: 9/2/25

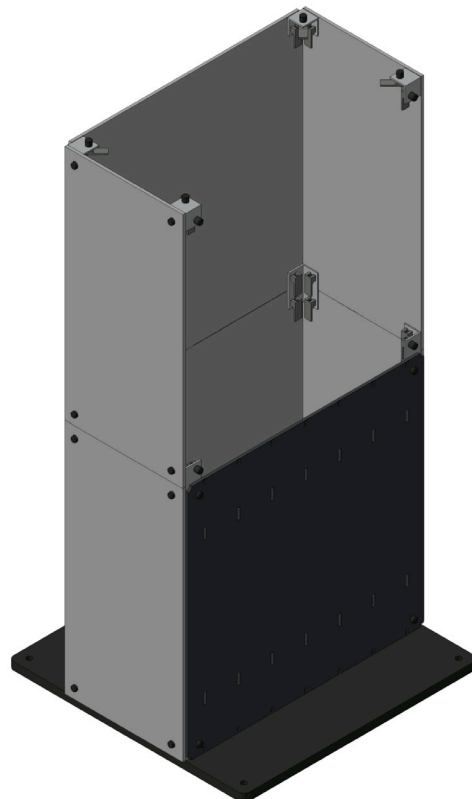
STEP ONE

- Attach C3 connectors to a Superbase as shown.



STEP TWO

- Attach rear Propane panel and Half panels to the sides.
- Attach C4 connectors as shown.

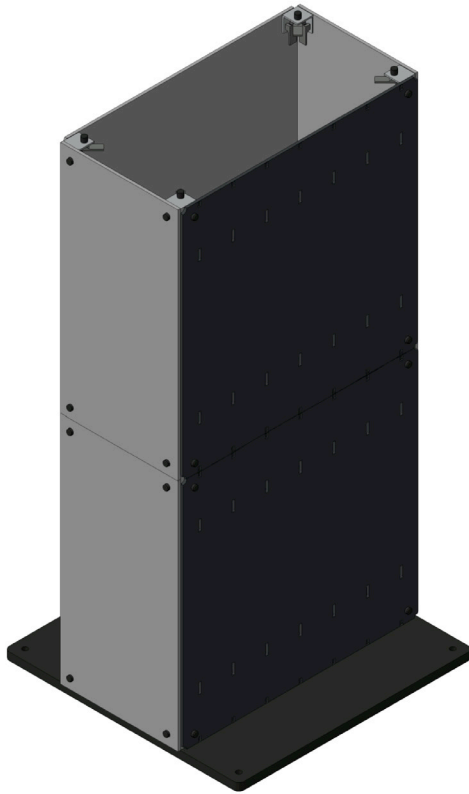


STEP THREE

- Attach additional rear Propane panel and Half panels.
- Attach C3 Connectors to the top corners as shown.
- Attach a SlotLok Base panel to the face of build.

NOTE:

- SlotLok Base panels have slight indentations along their top and bottom edge to align the SlotLok Inserts. Make sure these face out. Slots should be vertical.

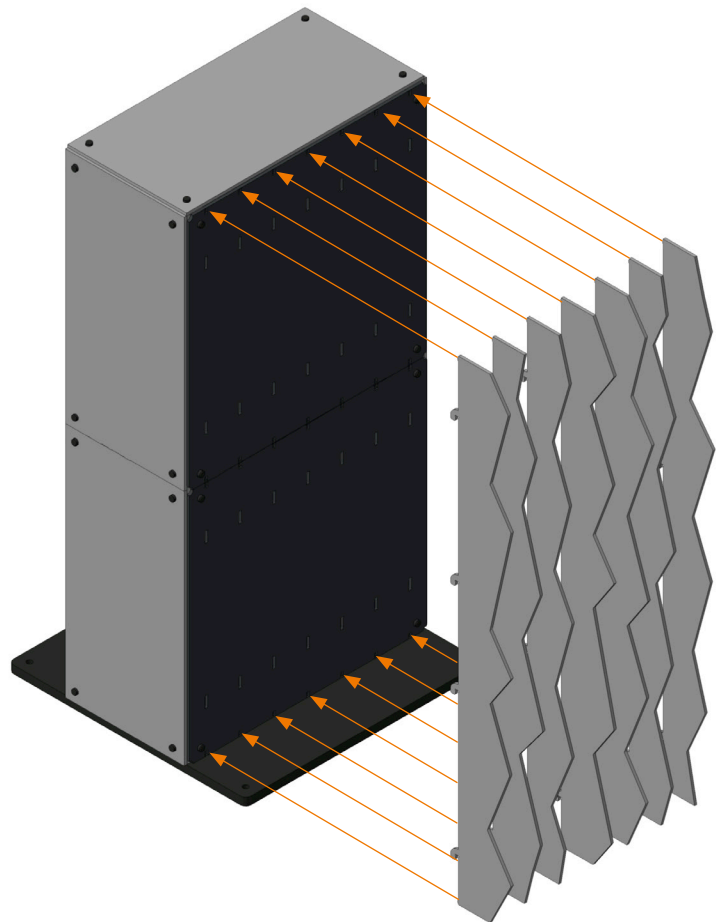


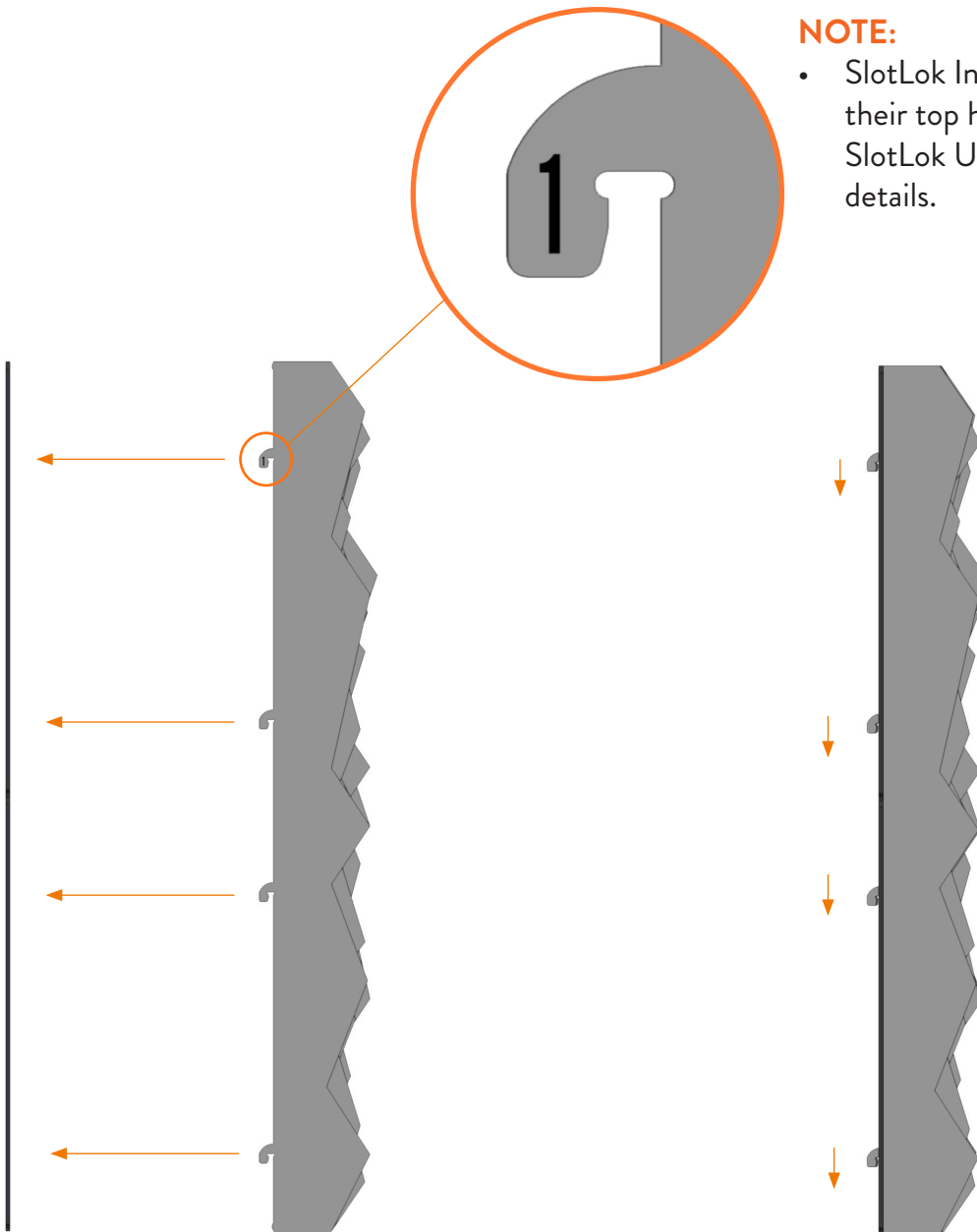
STEP FOUR

- Attach final SlotLok Base panel.

STEP FIVE

- Attach Half Panel to top of build.
- Prepare SlotLok Inserts.





NOTE:

- SlotLok Inserts are numbered on their top hook. Please see individual SlotLok Unit designs instructions for details.

STEP SIX

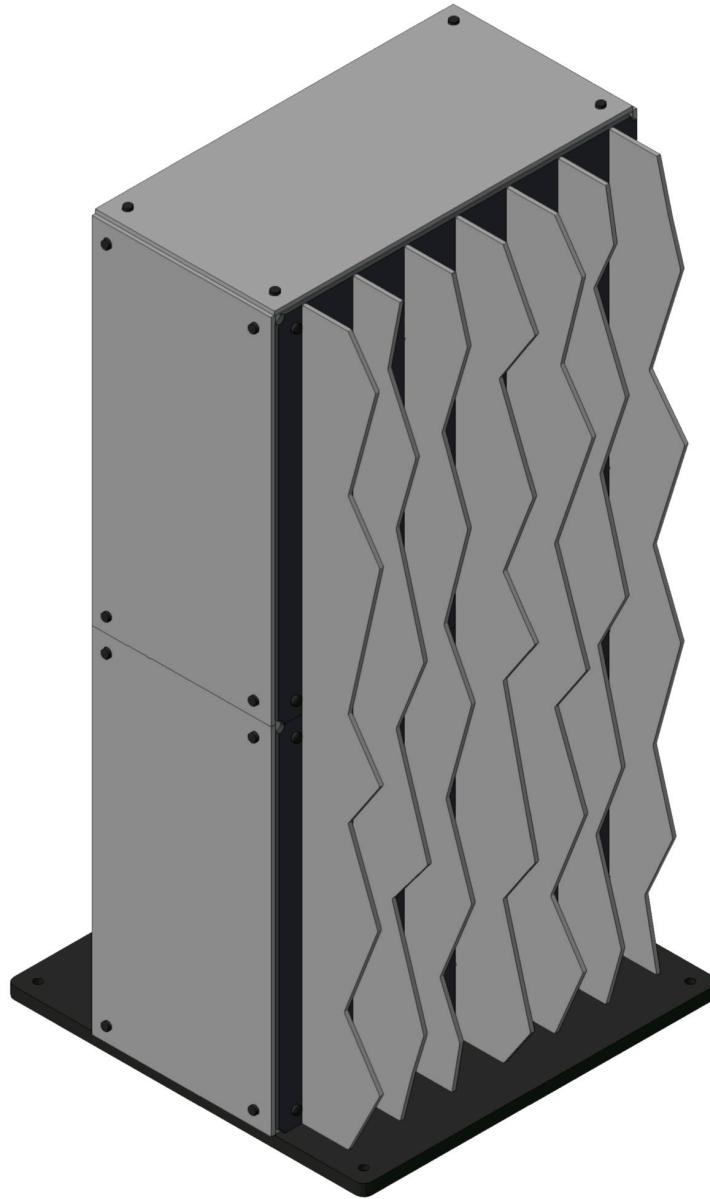
- Align then insert the 4 SlotLok Insert hooks with the 4 vertical slots on the SlotLok Base Panels.

STEP SEVEN

- Press the SlotLok Insert down slightly to secure it.
- Repeat steps Six and Seven for all 7 Inserts.

STEP EIGHT

- Sit back and relax, SlotLok Unit complete!



NOTE:

- A single SlotLok Unit consists of 2 high by 1 wide SlotLok Base panels and 7 SlotLok Inserts. Combine SlotLok Units into endless different combinations using our SuperLever systems!