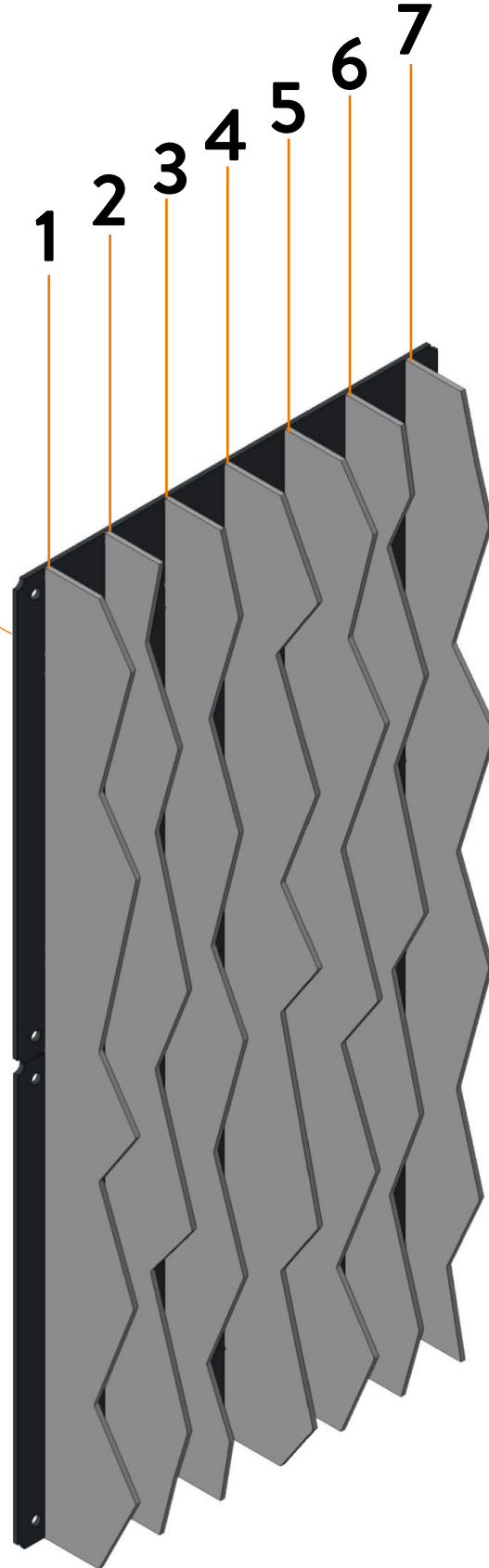
**NOTE:**

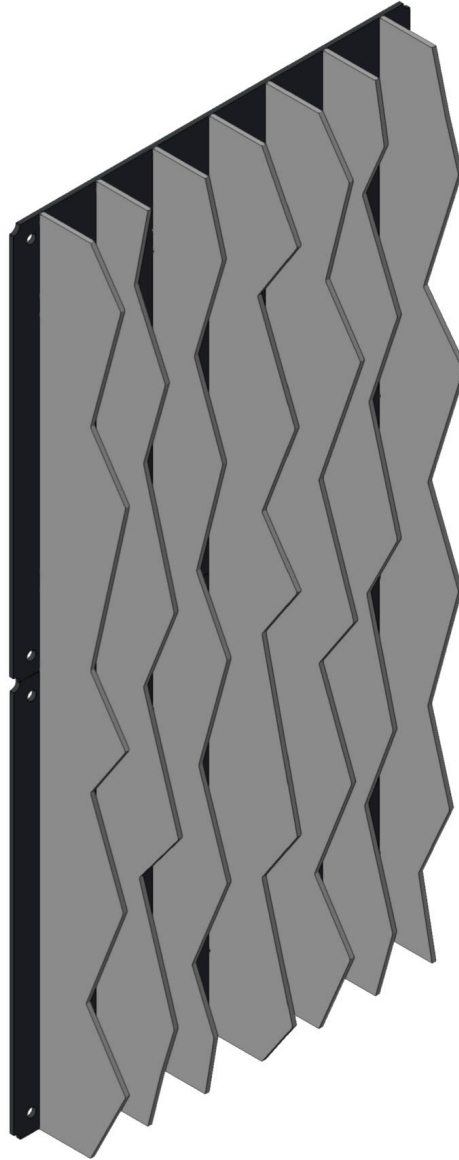
The Instructions reflect building a single SlotLok Shard Unit for illustration purposes. Number order of Inserts is our recommendation, but not required for Shard.

**REVISION DATE: 9/6/25**



**NOTE:**

- SlotLok Inserts are numbered on their top hook. Lock Inserts into the Slotlok Base Panels from left to right.



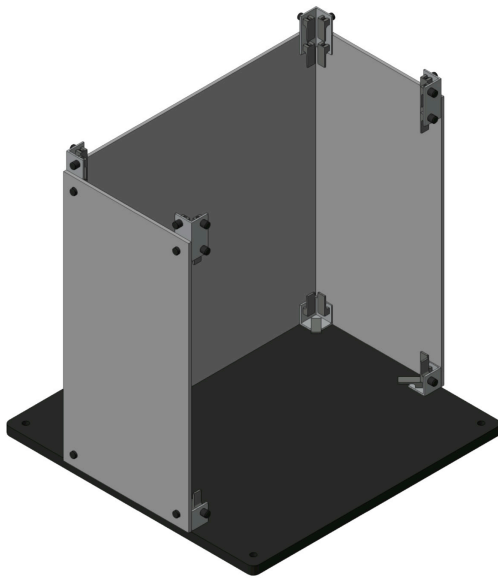
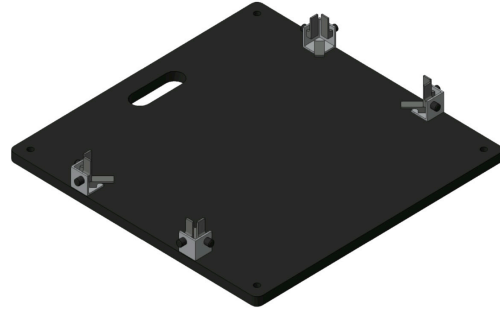
**NOTE:**

Actual product may vary. SlotLok Inserts are interchangeable and instructions show a product representation. The Instructions reflect building a single SlotLok Shard Unit for illustration purposes.

**REVISION DATE: 9/2/25**

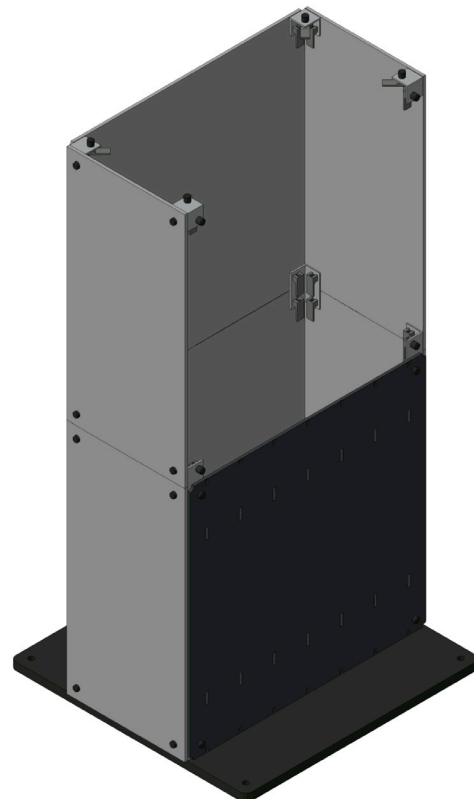
### STEP ONE

- Attach C3 connectors to a Superbase as shown.



### STEP TWO

- Attach rear Propane panel and Half panels to the sides.
- Attach C4 connectors as shown.

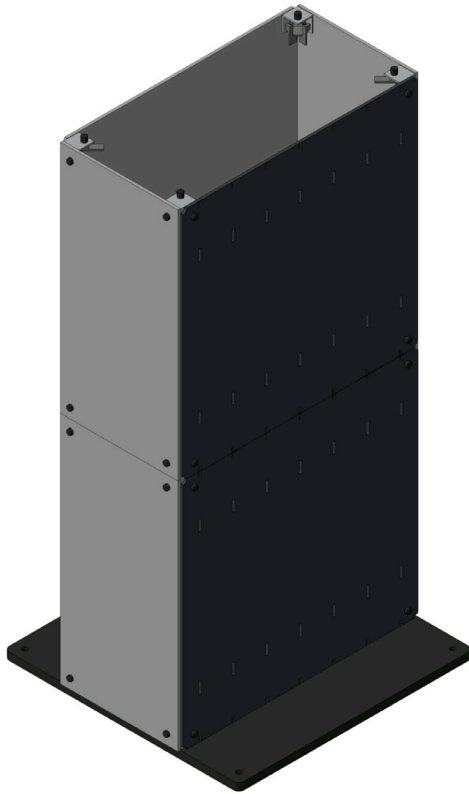


### STEP THREE

- Attach additional rear Propane panel and Half panels.
- Attach C3 Connectors to the top corners as shown.
- Attach a SlotLok Base panel to the face of build.

### NOTE:

- SlotLok Base panels have slight indentations along their top and bottom edge to align the SlotLok Inserts. Make sure these face out. Slots should be vertical.

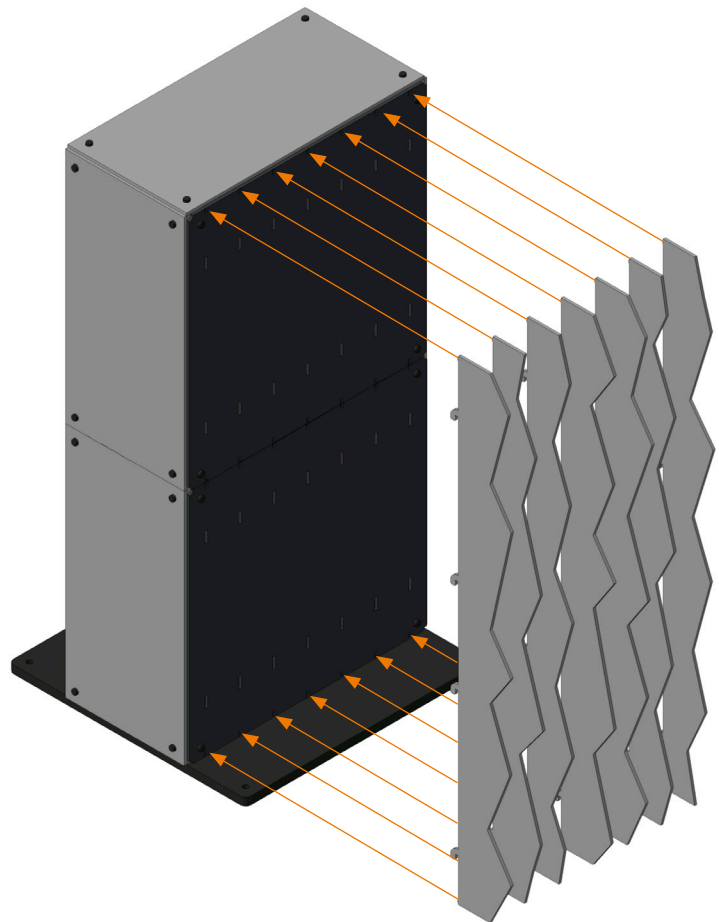


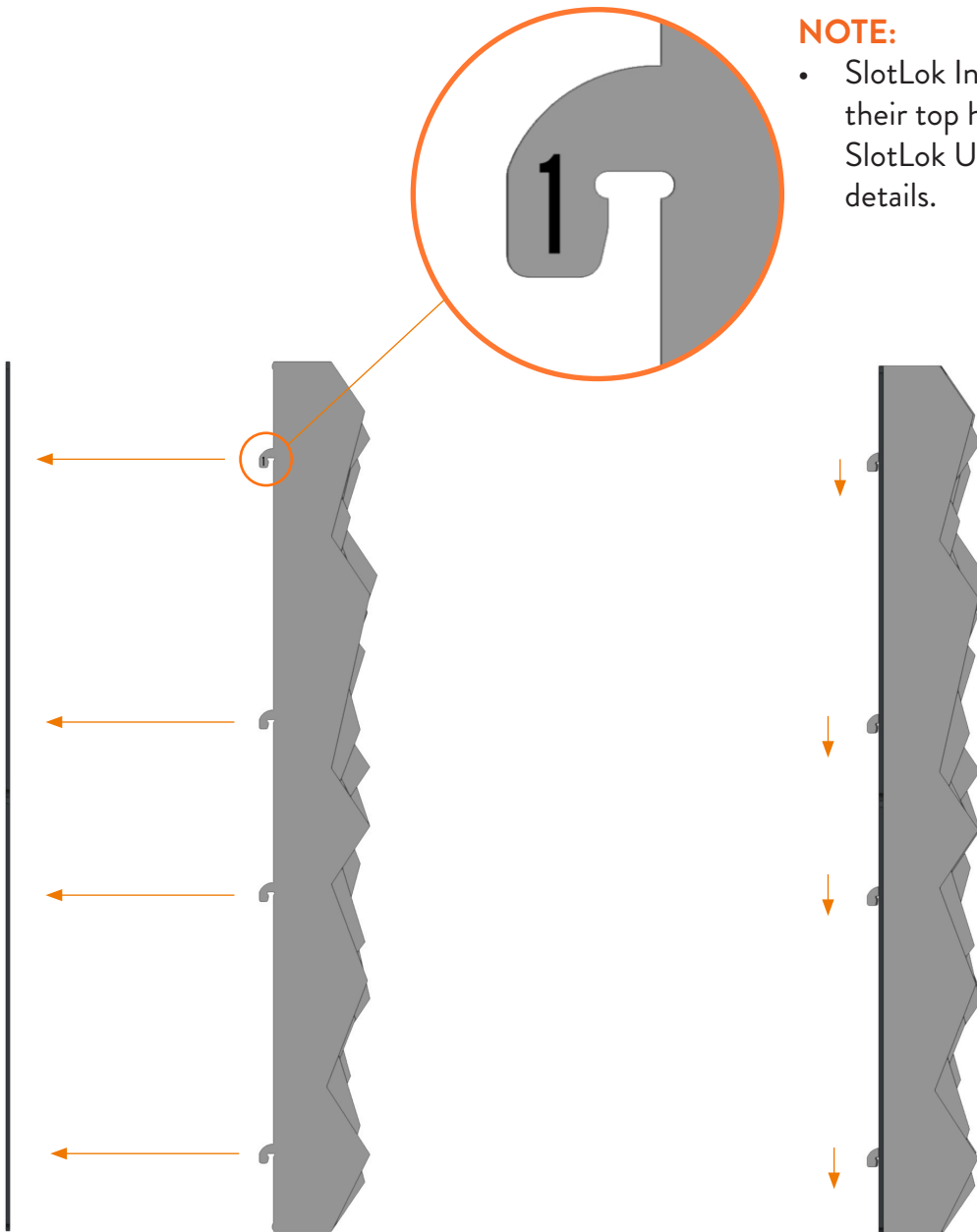
### STEP FOUR

- Attach final SlotLok Base panel.

### STEP FIVE

- Attach Half Panel to top of build.
- Prepare SlotLok Inserts.





### NOTE:

- SlotLok Inserts are numbered on their top hook. Please see individual SlotLok Unit designs instructions for details.

### STEP SIX

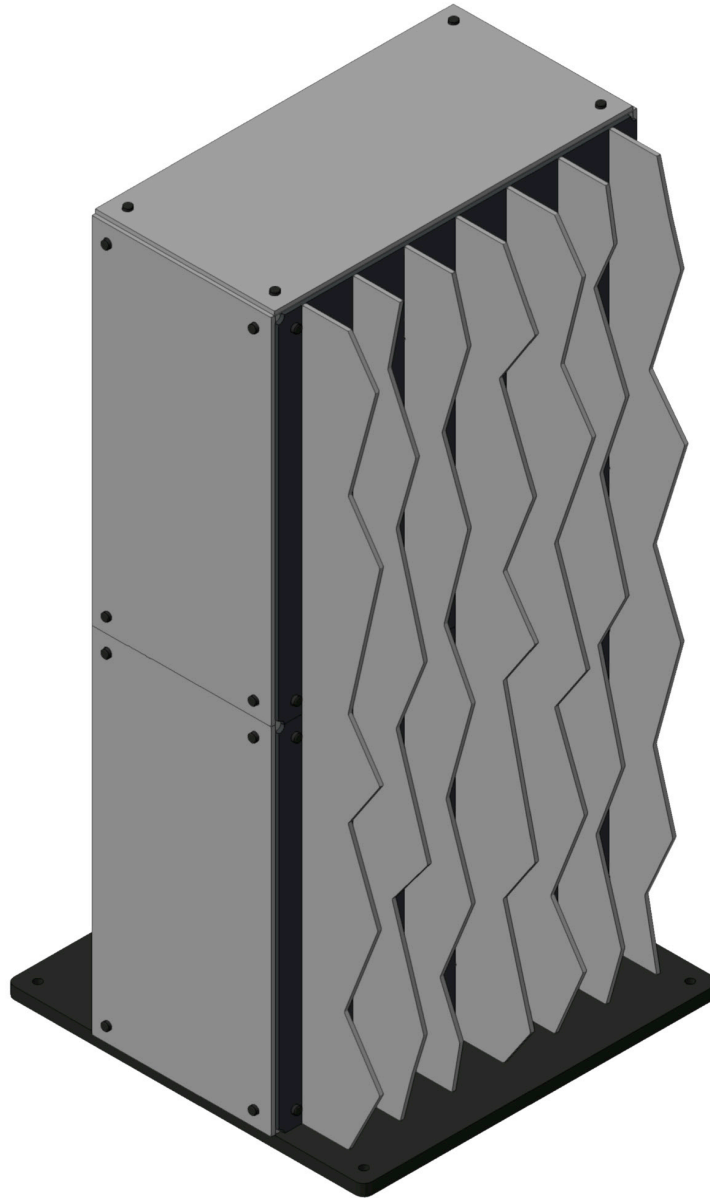
- Align then insert the 4 SlotLok Insert hooks with the 4 vertical slots on the SlotLok Base Panels.

### STEP SEVEN

- Press the SlotLok Insert down slightly to secure it.
- Repeat steps Six and Seven for all 7 Inserts.

## STEP EIGHT

- Sit back and relax, SlotLok Unit complete!



### NOTE:

- A single SlotLok Unit consists of 2 high by 1 wide SlotLok Base panels and 7 SlotLok Inserts. Combine SlotLok Units into endless different combinations using our SuperLever systems!