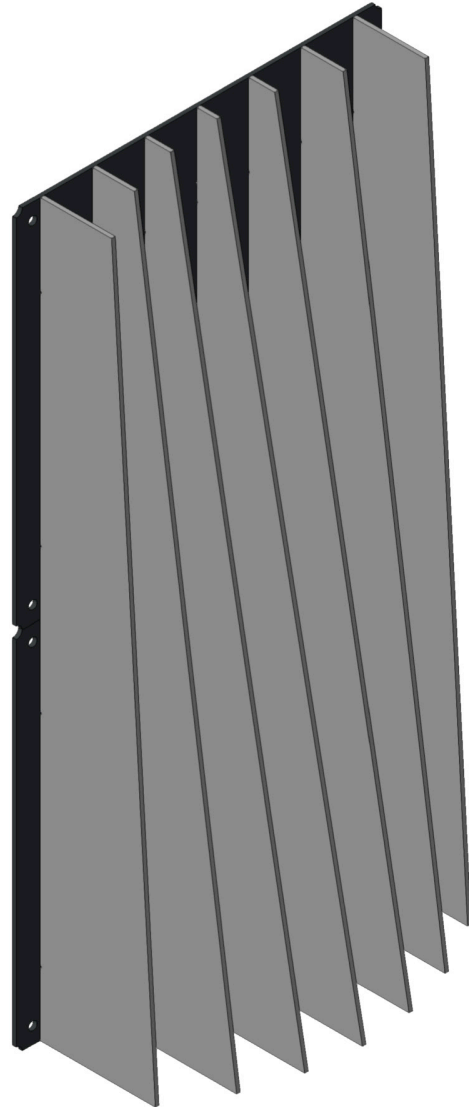


A



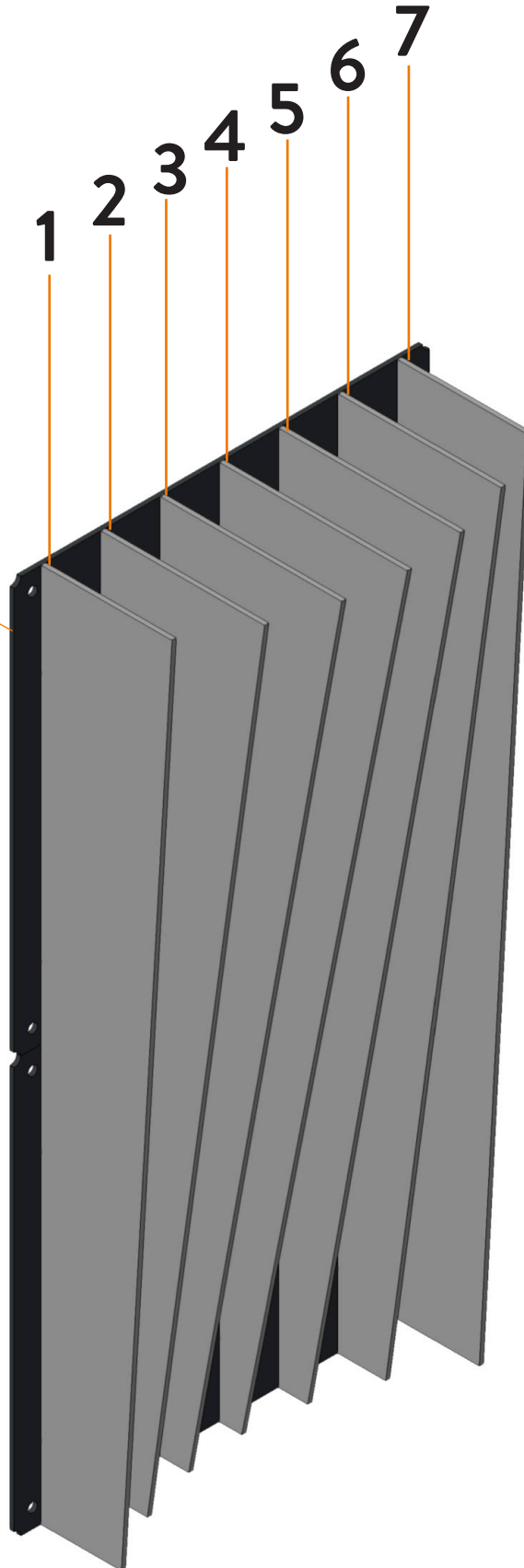
B

NOTE:

The Instructions reflect building SlotLok Ripple A and B Units.

REVISION DATE: 9/6/25

RIPPLE A



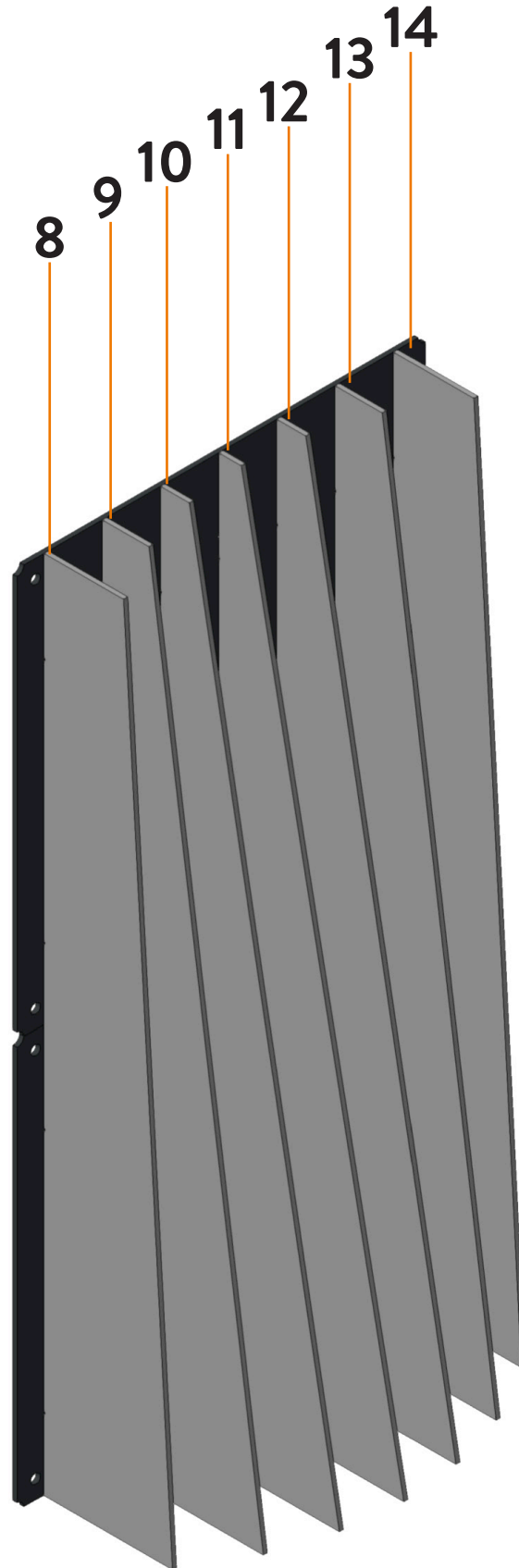
NOTE:

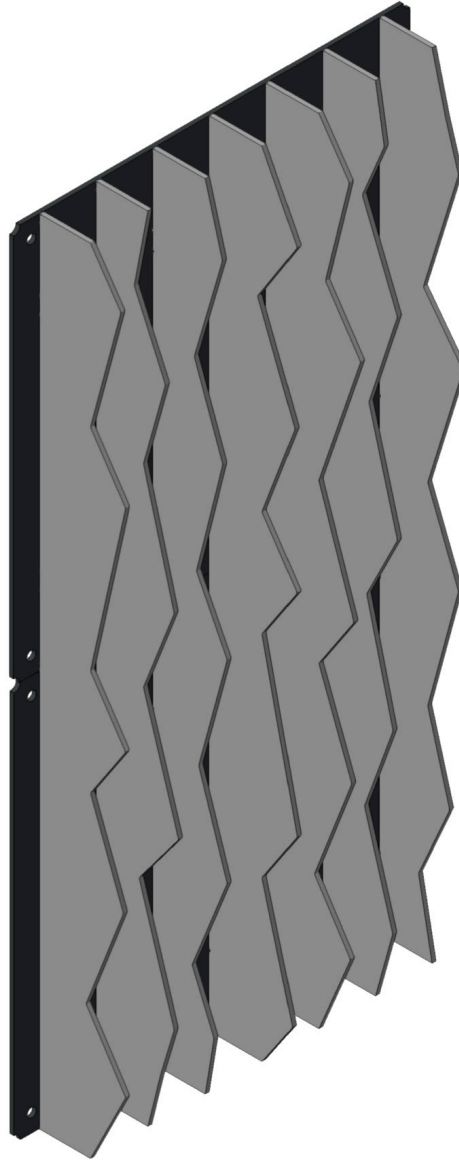
- Slotlok Inserts are numbered on their top hook. Lock Inserts into Slotlok Base Panels from left to right.

RIPPLE B

NOTE:

- Ripple A and B look great stacked on top of each other with A on top and B below or vice versa. Also try alternating A and B next to each other for a cool undulating look!





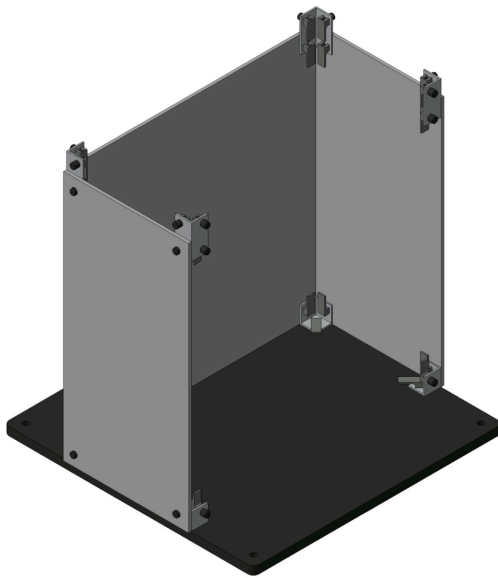
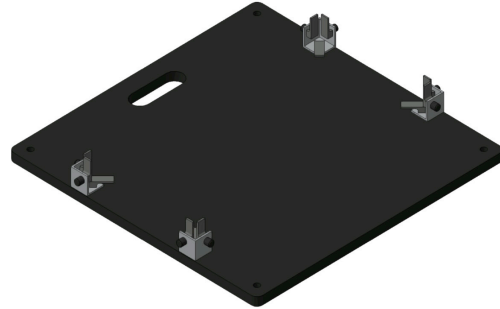
NOTE:

Actual product may vary. SlotLok Inserts are interchangeable and instructions show a product representation. The Instructions reflect building a single SlotLok Shard Unit for illustration purposes.

REVISION DATE: 9/2/25

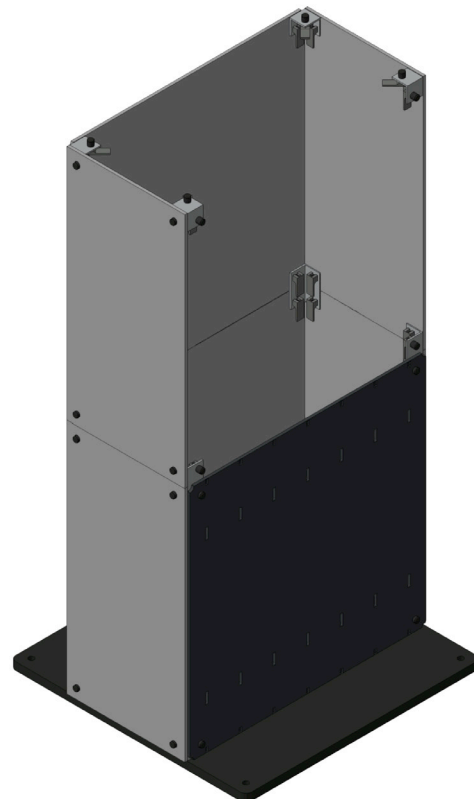
STEP ONE

- Attach C3 connectors to a Superbase as shown.



STEP TWO

- Attach rear Propane panel and Half panels to the sides.
- Attach C4 connectors as shown.

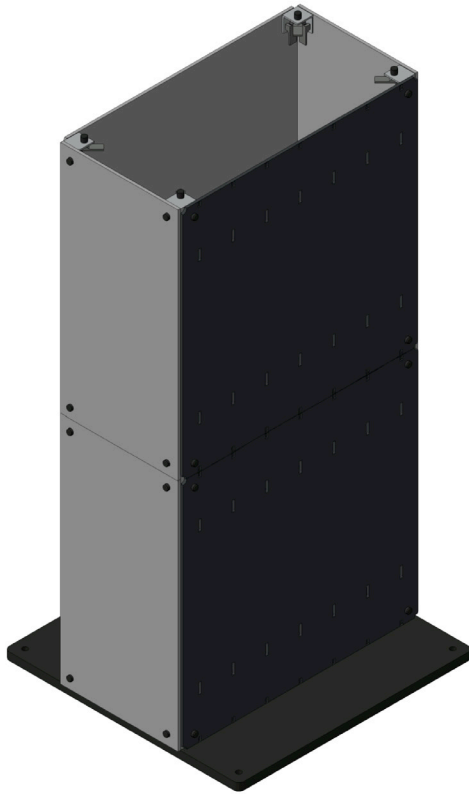


STEP THREE

- Attach additional rear Propane panel and Half panels.
- Attach C3 Connectors to the top corners as shown.
- Attach a SlotLok Base panel to the face of build.

NOTE:

- SlotLok Base panels have slight indentations along their top and bottom edge to align the SlotLok Inserts. Make sure these face out. Slots should be vertical.

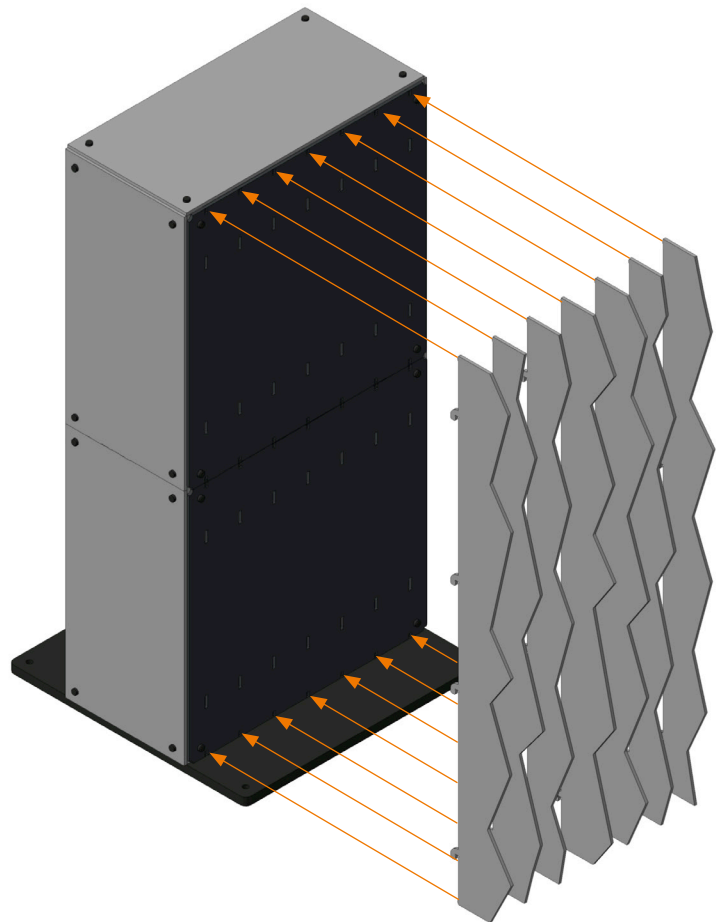


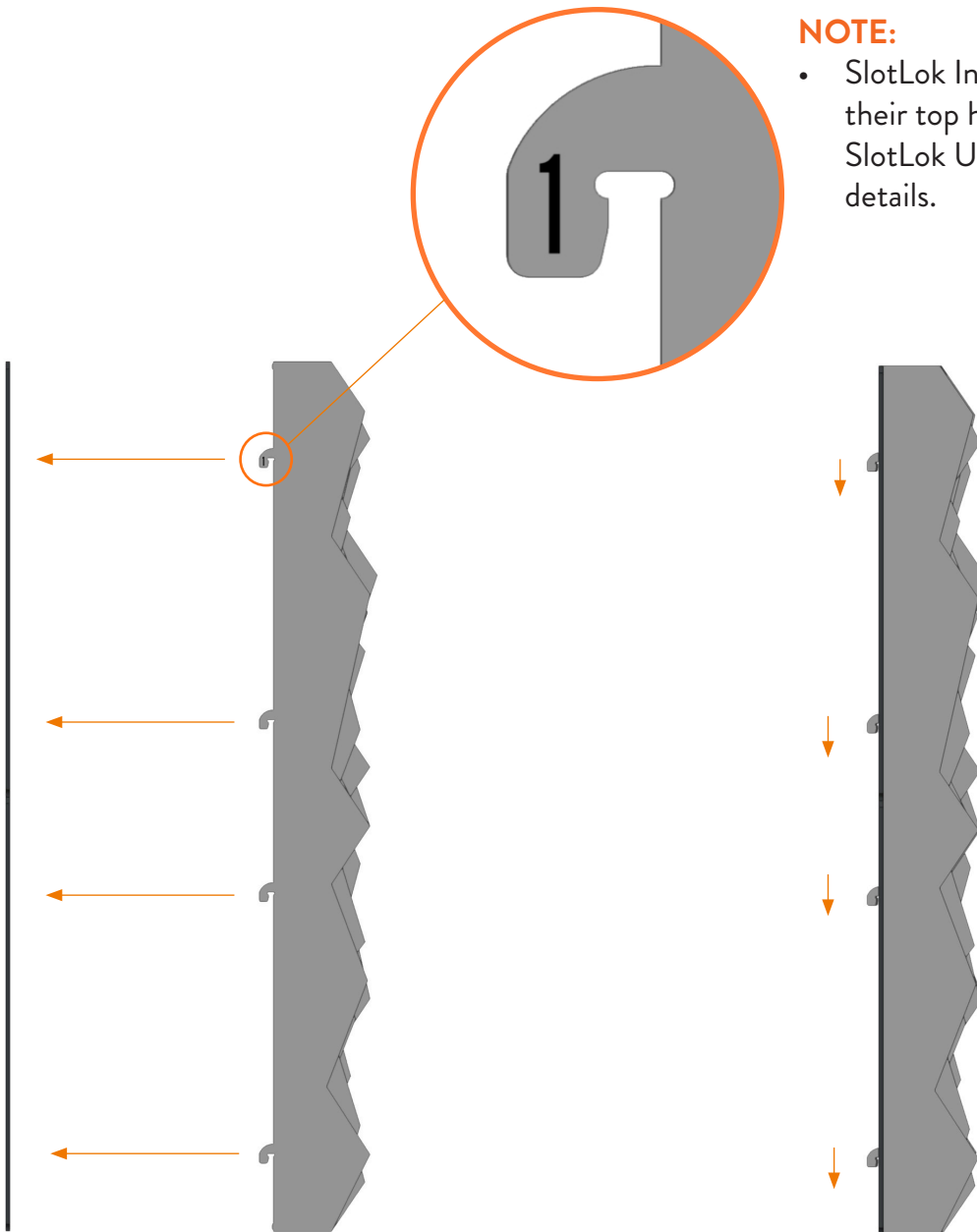
STEP FOUR

- Attach final SlotLok Base panel.

STEP FIVE

- Attach Half Panel to top of build.
- Prepare SlotLok Inserts.





NOTE:

- SlotLok Inserts are numbered on their top hook. Please see individual SlotLok Unit designs instructions for details.

STEP SIX

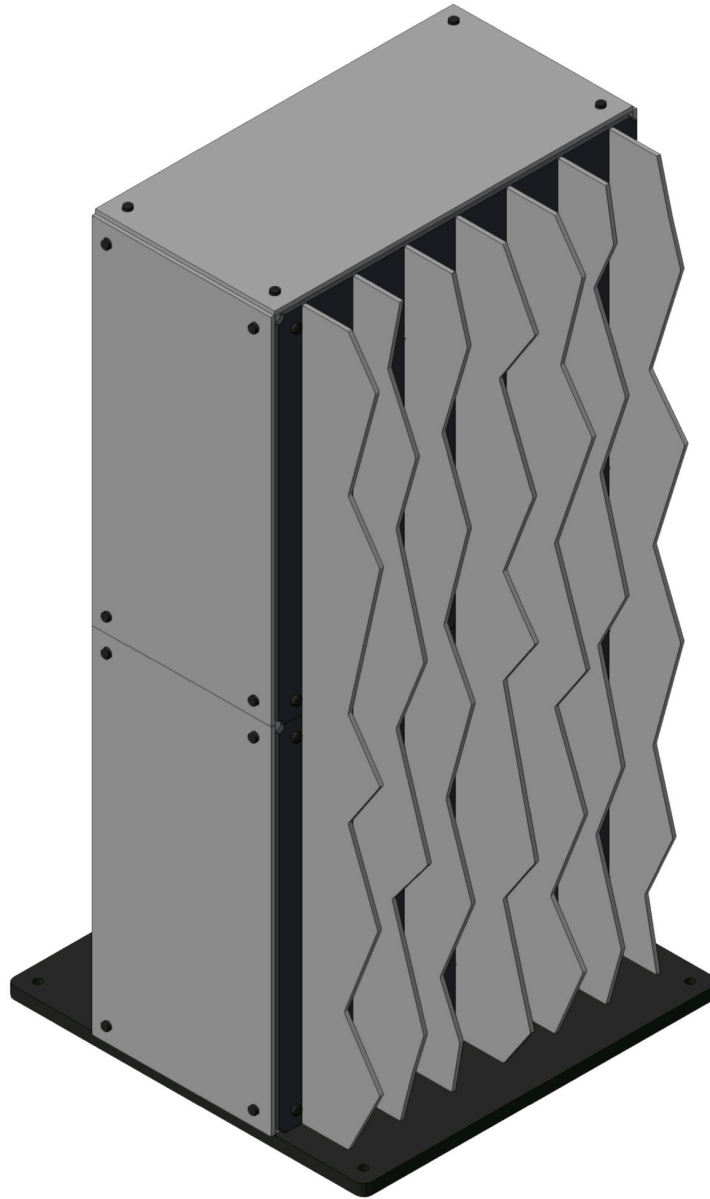
- Align then insert the 4 SlotLok Insert hooks with the 4 vertical slots on the SlotLok Base Panels.

STEP SEVEN

- Press the SlotLok Insert down slightly to secure it.
- Repeat steps Six and Seven for all 7 Inserts.

STEP EIGHT

- Sit back and relax, SlotLok Unit complete!



NOTE:

- A single SlotLok Unit consists of 2 high by 1 wide SlotLok Base panels and 7 SlotLok Inserts. Combine SlotLok Units into endless different combinations using our SuperLever systems!