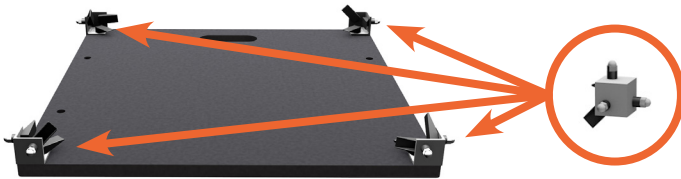


**NOTE:**

Actual product may vary. Superlever panels are interchangeable and instructions show a product representation.

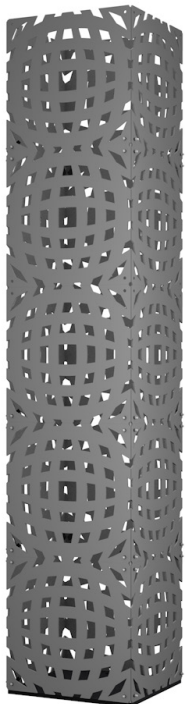
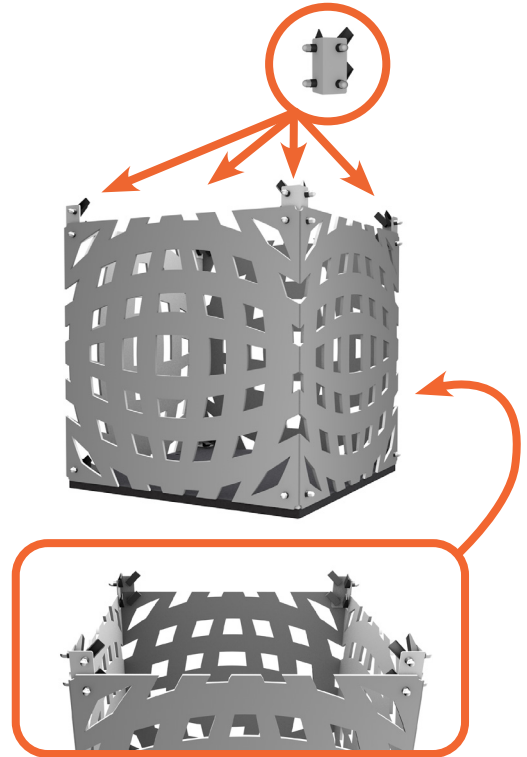
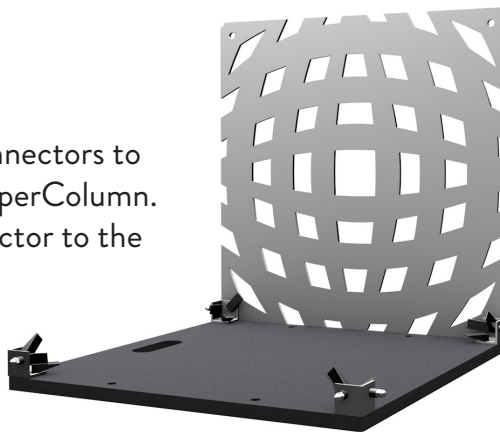


**STEP ONE**

Attach a C3 connector to each corner of the SuperBase.

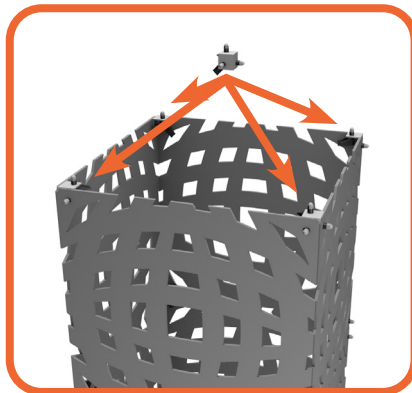
**STEP TWO**

Attach a panel to C3 connectors to form each face of the SuperColumn. Then attach a C4 Connector to the top corners as shown.



**STEP THREE**

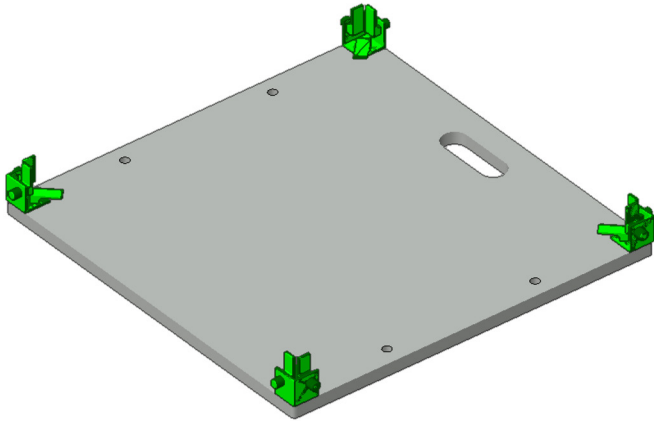
Repeat step two until you have reached the desired height. Attach C3 connectors to the corners as shown. Then place a Propane panel on top to cap the column as shown.



Questions about ATOMIC products?  
Contact your Modular Systems Account Manager!  
[www.atomicdesign.tv/contact](http://www.atomicdesign.tv/contact)

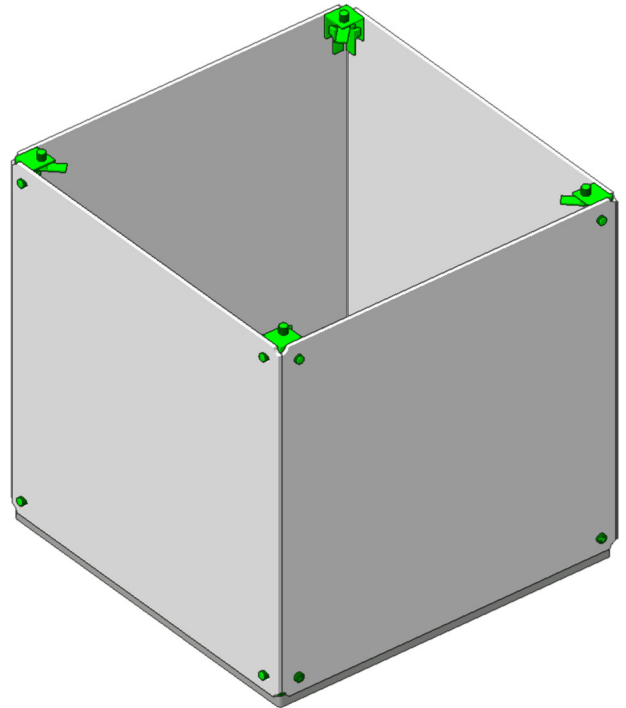
**NOTE:**

Actual product may vary. Superlever panels are interchangeable and instructions show a product representation. Reference the SuperLever Connectors sheet for instructions and images.



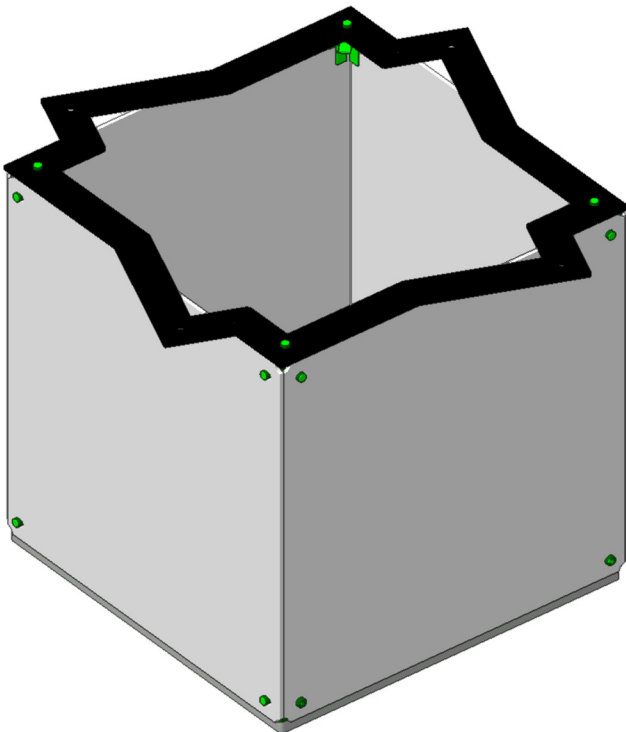
**STEP ONE**

Attach C3 connectors to outside holes of SuperBase as illustrated.



**STEP TWO**

Connect four SuperLever panels to C3 connectors.



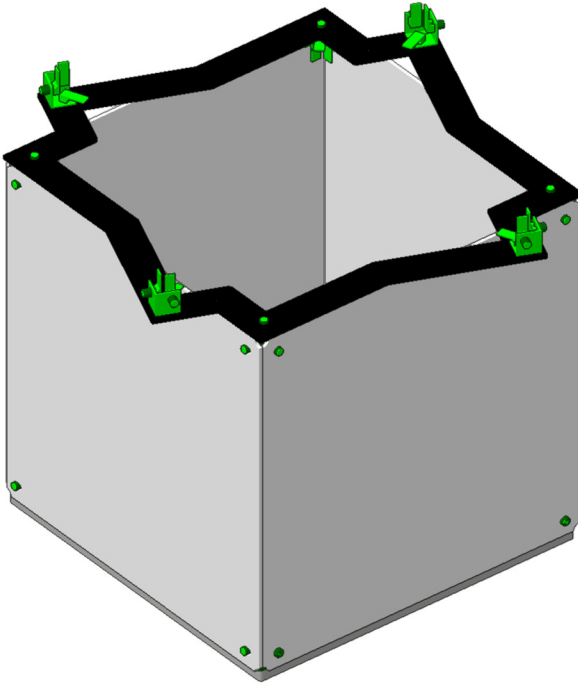
**STEP THREE**

Connect two Stagger pieces to C3 connectors.

Questions about ATOMIC products?  
Contact your Modular Systems Account Manager!  
[www.atomicdesign.tv/contact](http://www.atomicdesign.tv/contact)

### STEP FOUR

Attach C3 connectors to tops of Stagger pieces.



### STEP FIVE

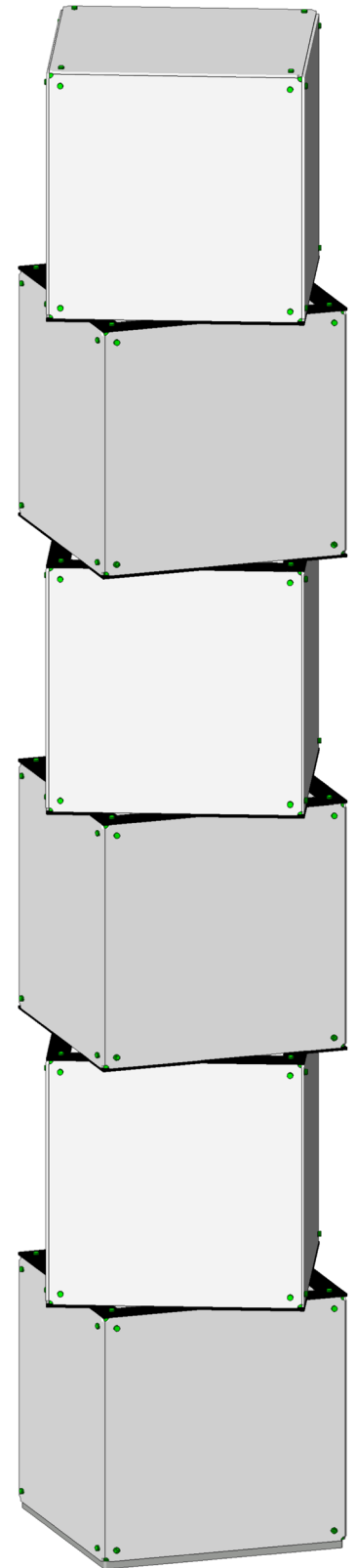
Repeat steps two, three, and four until desired height is reached. Finish with either C2 connectors or C3 connectors and a top SuperLever panel.

### NOTE:

In order for SuperColumn to rotate in the same direction, Stagger pieces must be oriented the same way.

### DISASSEMBLY INSTRUCTIONS:

SuperColumn MUST be disassembled from top down, in reverse order as the assembly process. Removal of bottom panels first may result in a collapse.



Questions about ATOMIC products?  
Contact your Modular Systems Account Manager!

[www.atomicdesign.tv/contact](http://www.atomicdesign.tv/contact)

#### C60 CONNECTORS:

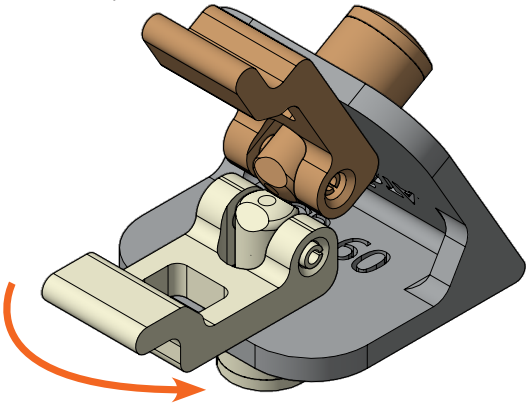
The latches of the SuperLever C2-60, C3-60 and C4-60 BLK connectors must be used in a specific order.

 = Lever A       = Lever B

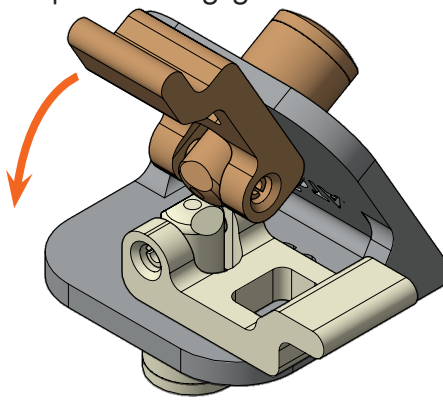
#### NOTE:

- Actual product may vary. SuperLever panels are interchangeable and instructions show a product representation.
- SuperLever C2-60, C3-60 and C4-60 BLK connectors must be used with the Triangle SuperColumn.
- For use with (1) 6mm SuperLever panel or (2) 3mm SuperLever panels.

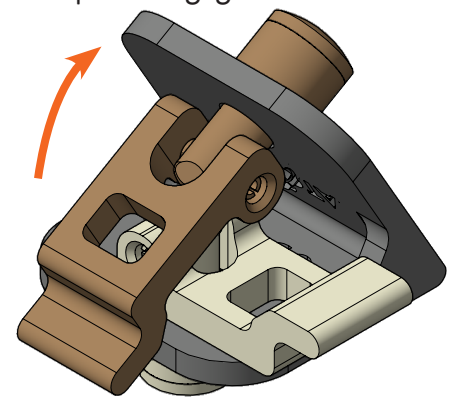
Step 1 - Rotate Lever A



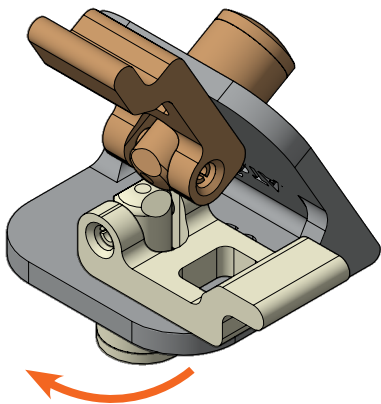
Step 2 - Disengage Lever B



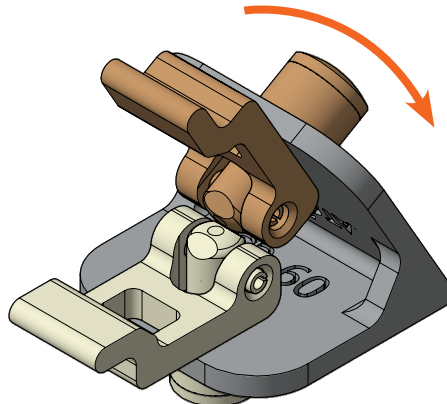
Step 3 - Engage Lever B



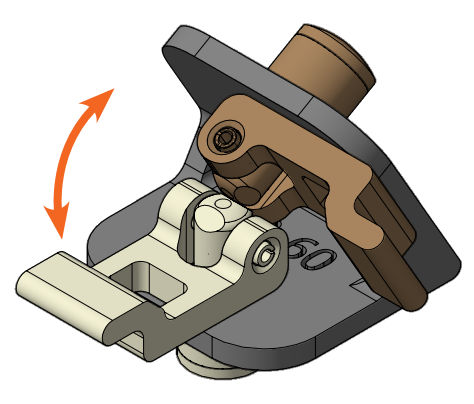
Step 4 - Rotate Lever A



Step 5 - Rotate Lever B



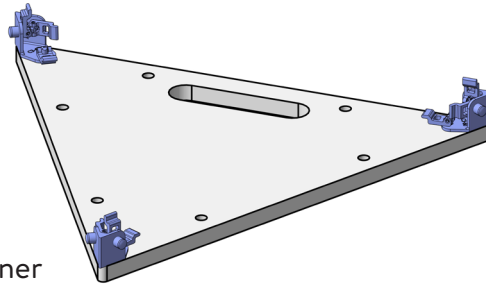
Step 6 - Disengage/Engage Lever A



Questions about ATOMIC products?  
Contact your Modular Systems Account Manager!  
[www.atomicdesign.tv/contact](http://www.atomicdesign.tv/contact)

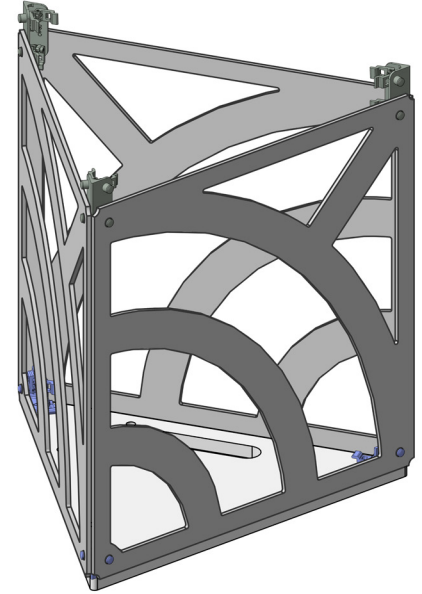
#### STEP ONE

Attach a C3-60 connector to each corner of the Triangle SuperBase.



#### STEP TWO

Attach a panel to C3-60 connectors to form each face of the Triangle SuperColumn. Then attach a C4-60 connector to the top corners as shown.



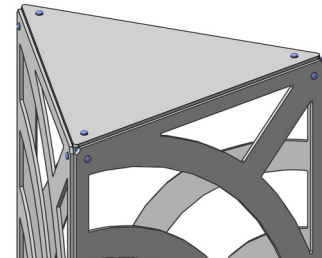
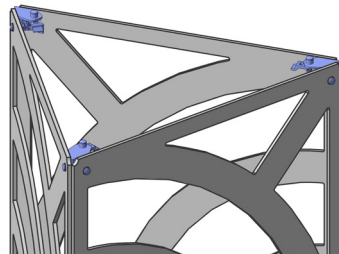
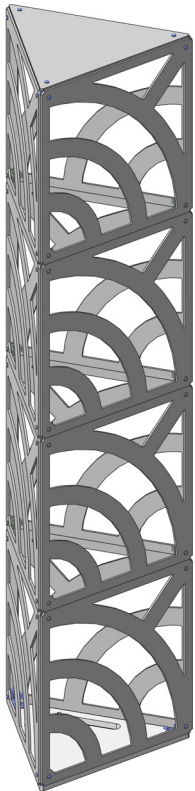
#### STEP THREE

Repeat STEP TWO up to the last row.

For the last row, attach the SuperLever panels.

Next, attach C3 connectors to the top corners of the column as shown.

Then, place a panel on top to cap the column as shown below.



#### DISASSEMBLY INSTRUCTIONS:

MUST be disassembled from top down, in reverse order as the assembly process. Removal of bottom panels first may result in a collapsing column. SuperLever C-60 connectors will require following rotation steps on Page 1.

Questions about ATOMIC products?  
Contact your Modular Systems Account Manager!

[www.atomicdesign.tv/contact](http://www.atomicdesign.tv/contact)

### STEP ONE

Connect six bases together using tabs as shown.

#### NOTE:

If lighting internally, place lights on bases before adding panels.

### STEP TWO

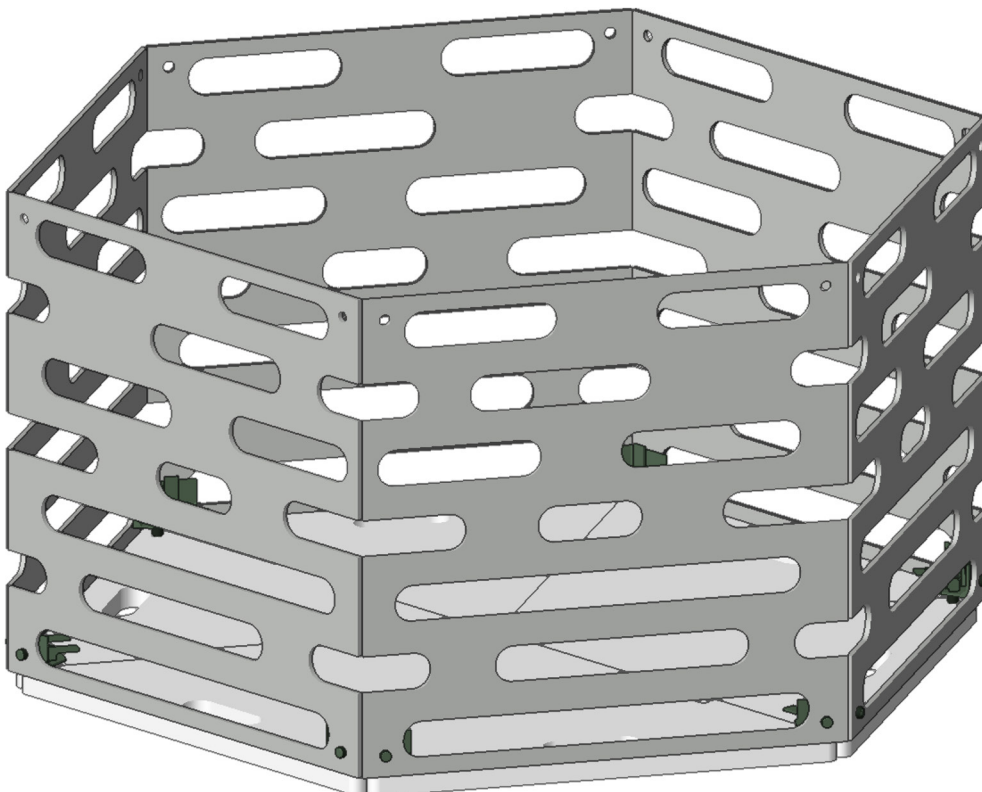
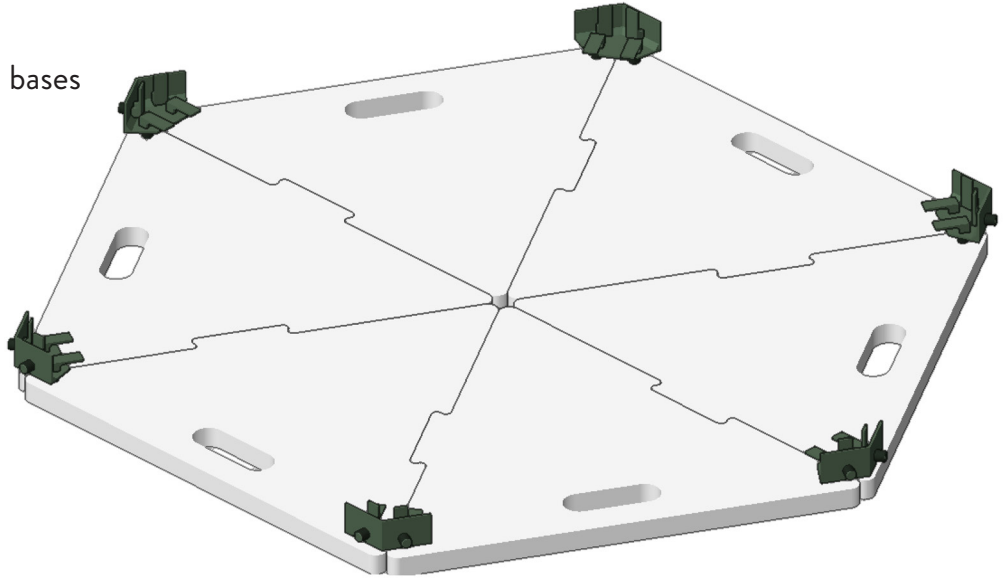
Attach H3 connectors to corners of each base as shown.

#### NOTE:

Open Superlever by pulling up on lever, then lock into position by pushing down once inserted into holes. Always ensure that panel/base is flush against connectors plate.

#### NOTE:

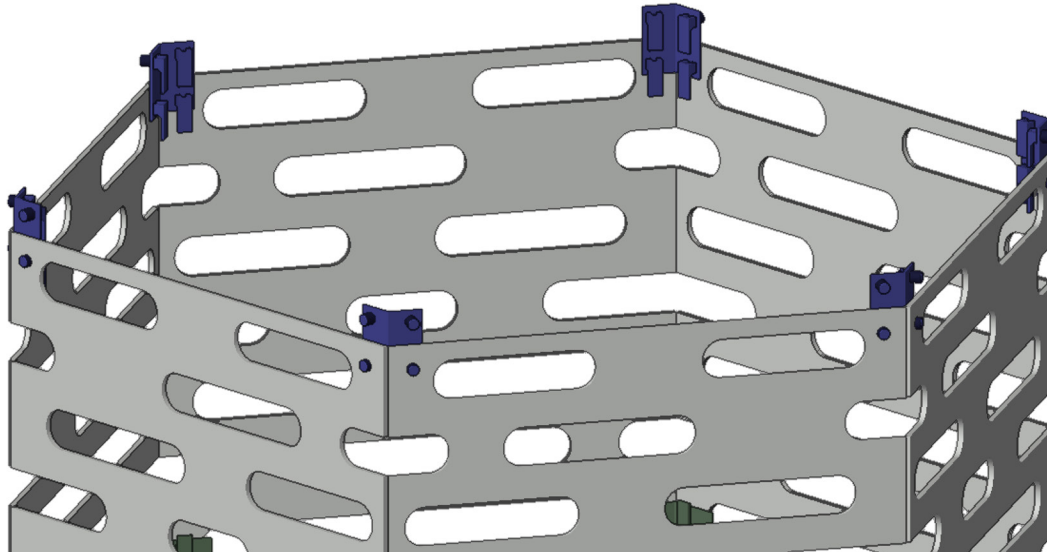
Actual product may vary. Superlever panels are interchangeable and instructions show a product representation. Reference the SuperLever Connectors sheet for instructions and images.



### STEP THREE

Attach panels to H3 connectors as shown.

Questions about ATOMIC products?  
Contact your Modular Systems Account Manager!  
[www.atomicdesign.tv/contact](http://www.atomicdesign.tv/contact)



#### STEP FOUR

Connect panels together using H4 connector as shown.

#### STEP FIVE

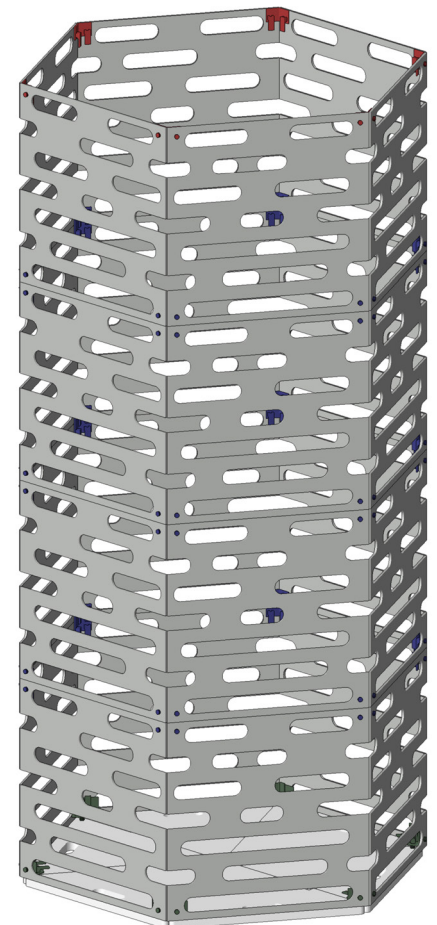
Continue building Hex Column by adding panels and H4 connectors following steps three and four.

#### STEP SIX

Complete column by attaching top row of panels using H2 connectors as shown. Ensure all SuperLevers are fully locked and structure is secure. Reposition as needed.

### DISSAMBELY INSTRUCTIONS

HexColumn *MUST* be disassembled from top down, in reverse order as the instructions listed. Removal of bottom panels first my result in a collapse.



Questions about ATOMIC products?  
 Contact your Modular Systems Account Manager!  
[www.atomicdesign.tv/contact](http://www.atomicdesign.tv/contact)