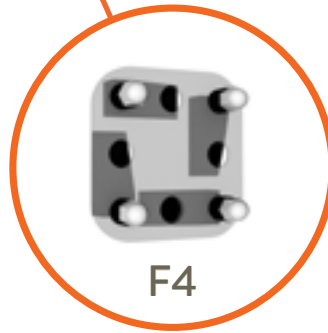


### STEP ONE

Tie F4 connectors to truss or pipe using tieline.

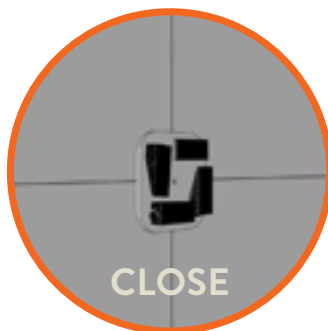
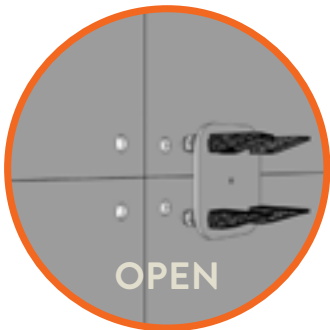
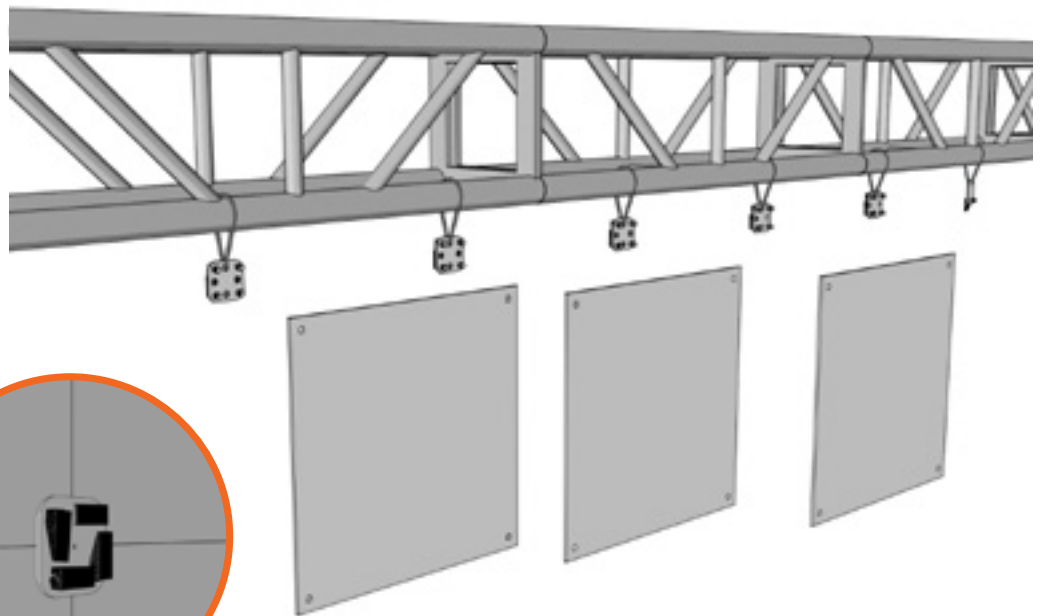
### NOTE

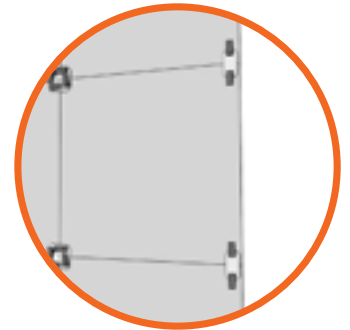
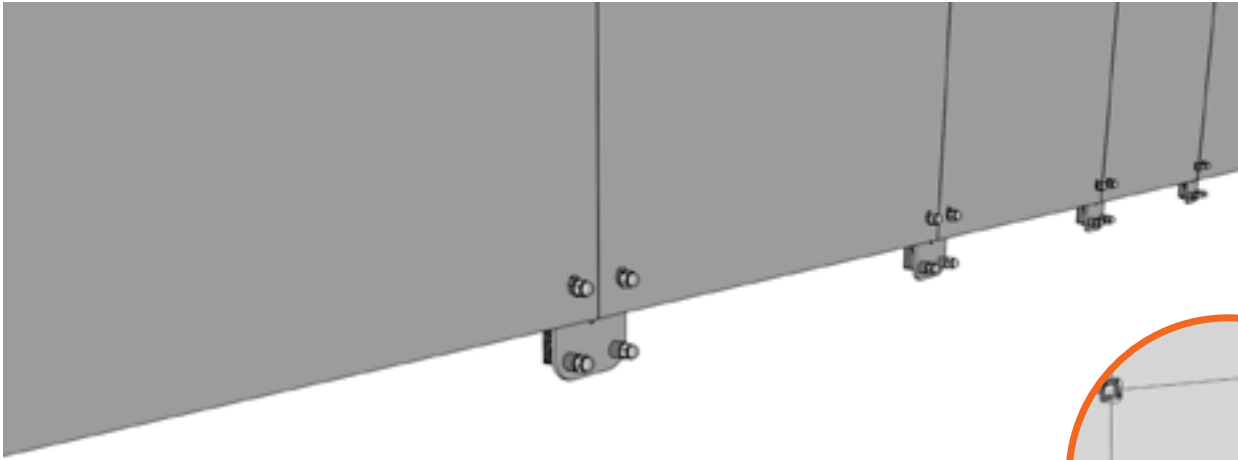
“S-hooks” are not included; SuperLever panels and connectors are designed to work with tieline. Hanging SuperLever panels from covered truss or pipe (i.e., with drape or truss sock) requires “S-hooks” or similar hardware not provided by ATOMIC.



### STEP TWO

Attach SuperLever panels to F4 connectors.





### STEP THREE

Continue building across wall with panels and F4 connectors. Use F2 connectors for sides of hanging backdrop.

### STEP FOUR

Build to desired height. Attach F2s to bottom row of the backdrop.

