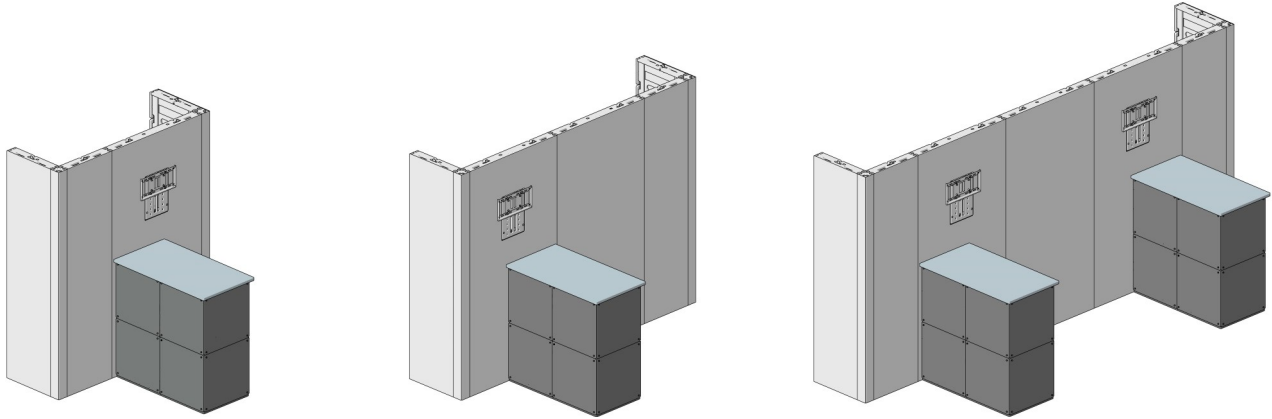


INSTRUCTIONS TO BUILD A SMALL, MEDIUM AND LARGE KIOSK



**NOTE:** Actual product may vary.

SuperLever and SuperFlat panels are interchangeable and instructions show a product representation.

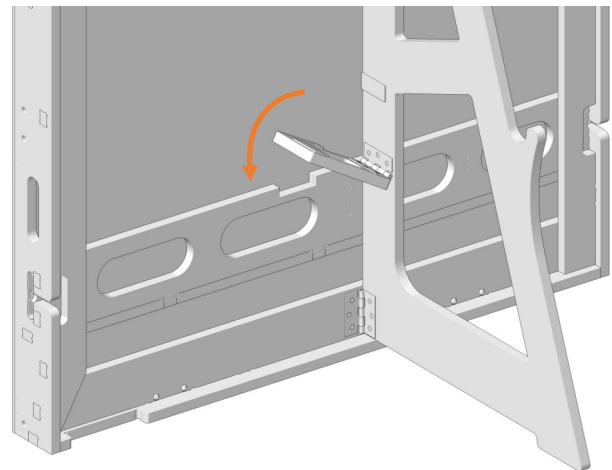
**STEP ONE**

Unfold leg on each of the SuperFlats and half-SuperFlats.



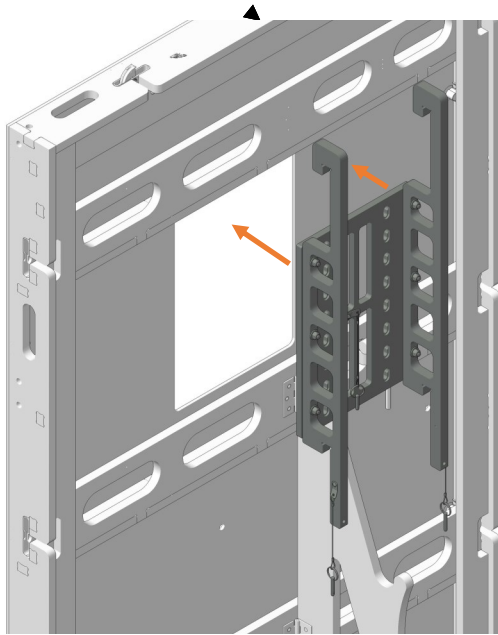
**STEP TWO**

Fold down the lock for the leg and engage into the slot to secure.



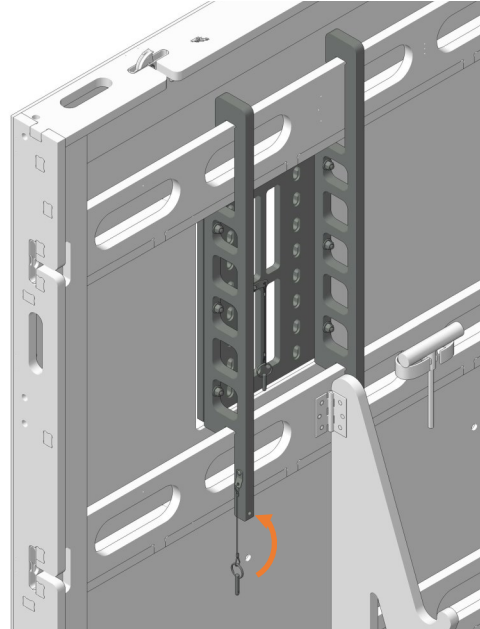
**INSTALLING THE TV MOUNT BRACKET**

**NOTE:** TV bracket is optional, if not using bracket, skip to STEP SIX



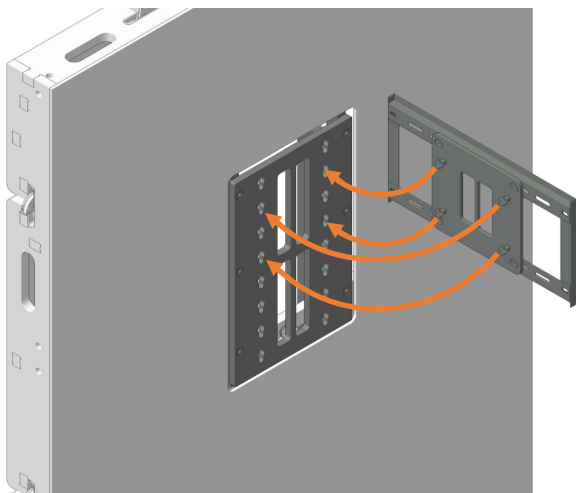
**STEP THREE**

Hook the bracket to the top horizontal cross member.



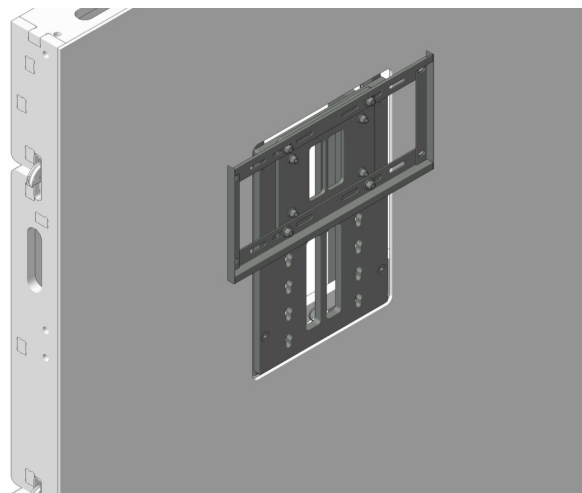
**STEP FOUR**

Make sure the bracket is positioned properly inside the opening and insert the (2) bracket pins into the lower slots on the bracket to secure in place.

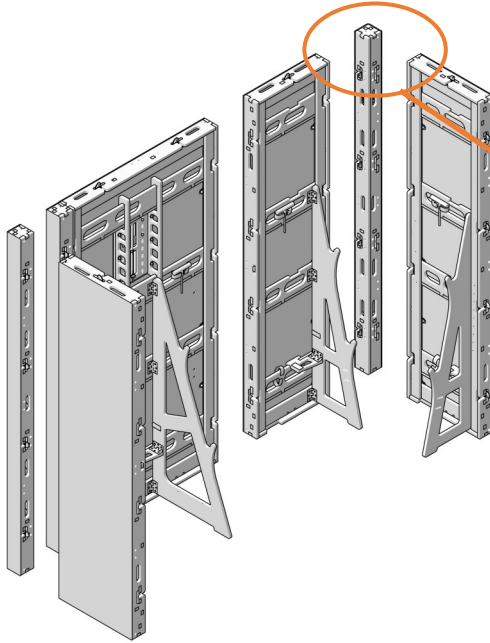


**STEP FIVE**

Take the mount plate and hook the bolts into the desired height slots.

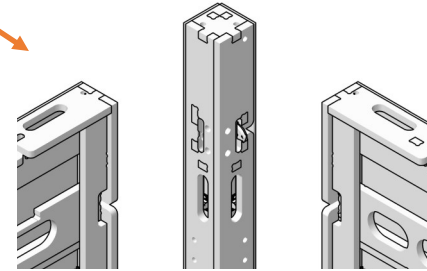


CONNECTING THE SUPERFLATS, HALF-SUPERFLATS AND CORNERS



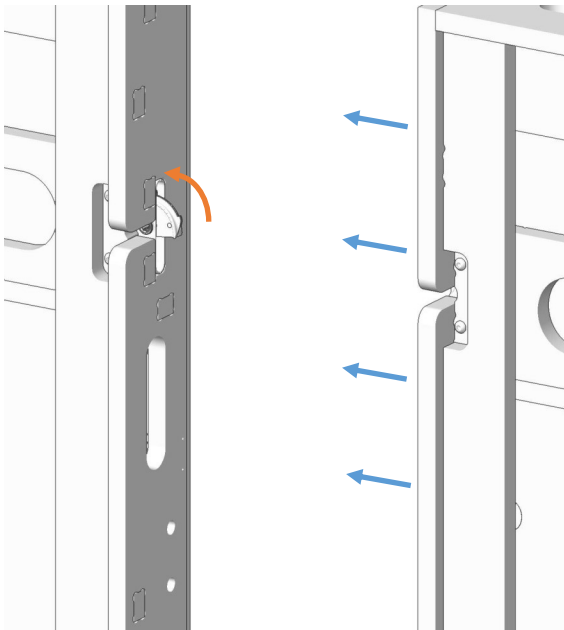
STEP SIX

On each component there are (4) male and (4) female coffin locks. Locate and line-up.



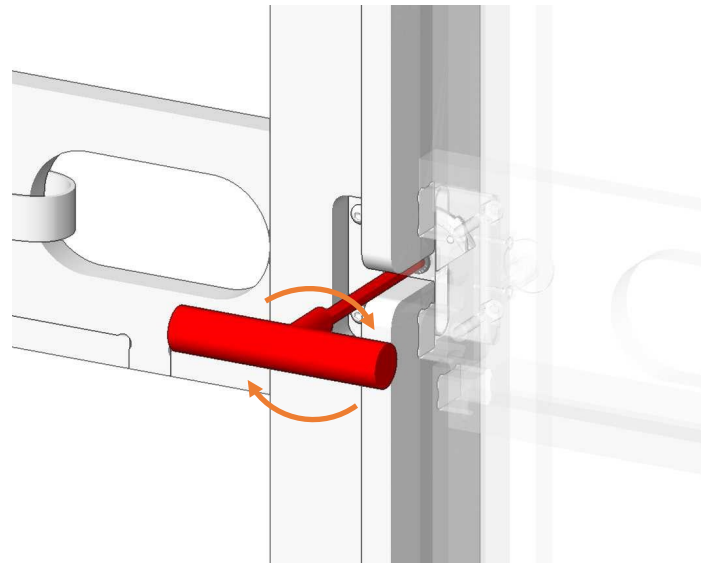
STEP SEVEN

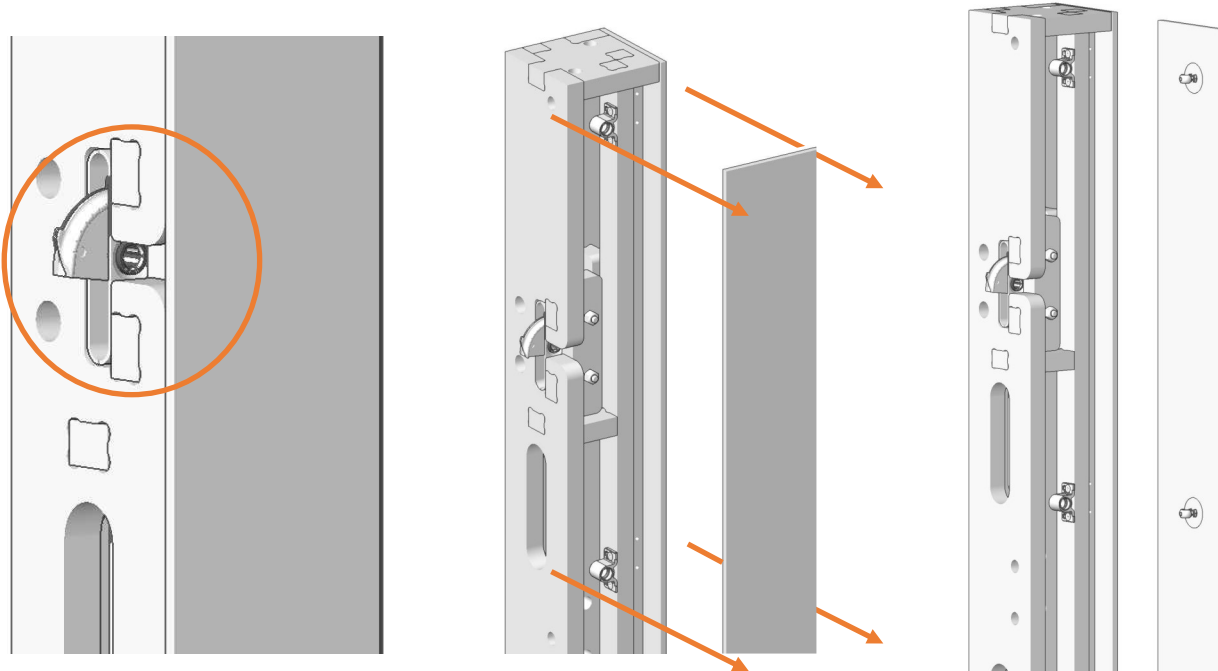
Using the provided hex wrench, make sure the coffin locks are fully retracted. Then butt the two units up, side by side, so they are touching.



STEP EIGHT

Rotate clockwise about 3/4 of a full turn or until you bottom out the coffin lock. Remove the hex wrench when lock is fully seated.

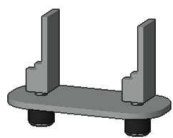
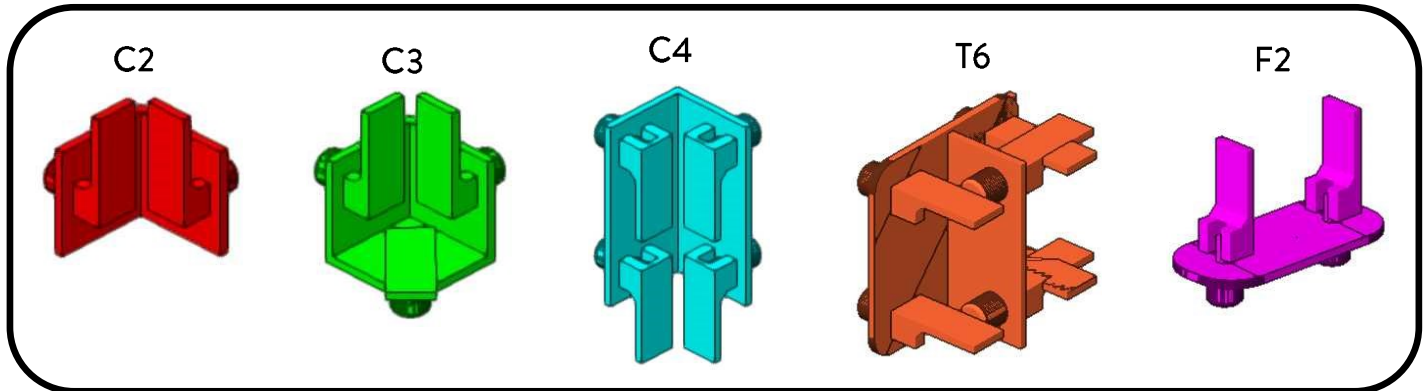




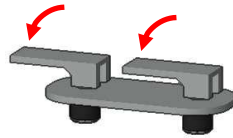
**STEP NINE**

In order to access the cam locks on the corner pieces, you will need to remove the panel adjacent to the locks. Use both hands to pull straight back on the panel. The first connection is 2” from the top and approximately 17” between each connection. Follow steps SIX through EIGHT to connect the corners to the SuperFlats. Once all corner units are connected, line up the panel clips and press firmly around each connection to snap them back onto the corner.

### COUNTER UNIT ASSEMBLY



Unlocked

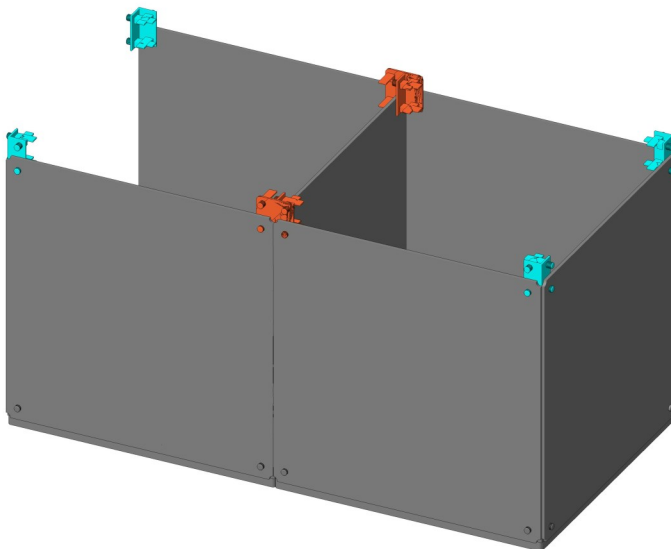
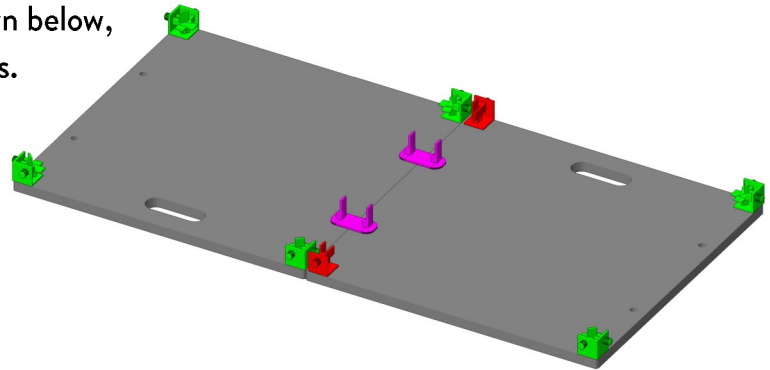


Locked

**NOTE:** SuperLever connectors should be in the unlocked position when inserting into hole, and then in the locked position once seated.

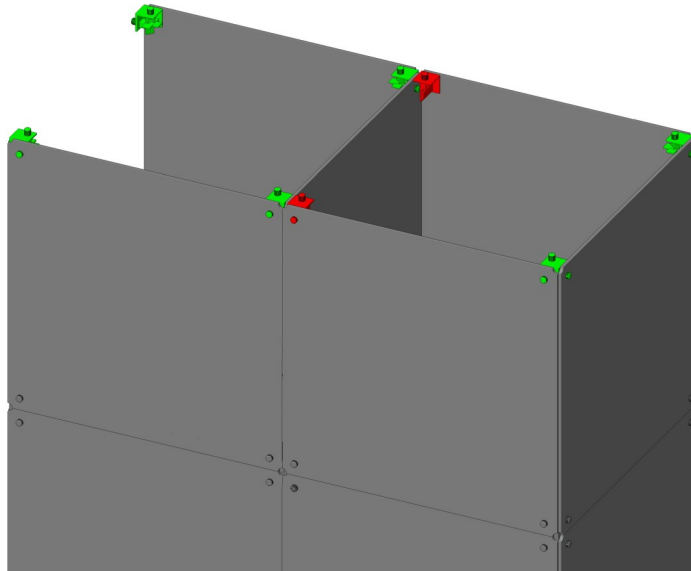
#### STEP TEN

- Position two SuperBase plates as shown below, noting orientation of holes and cutouts.
- Next attach F2 connectors
- Then attach C3 connectors
- Lastly attach C2 connectors



#### STEP ELEVEN

- Attach 6 panels
- Attach C4 connectors
- Attach T6 connectors

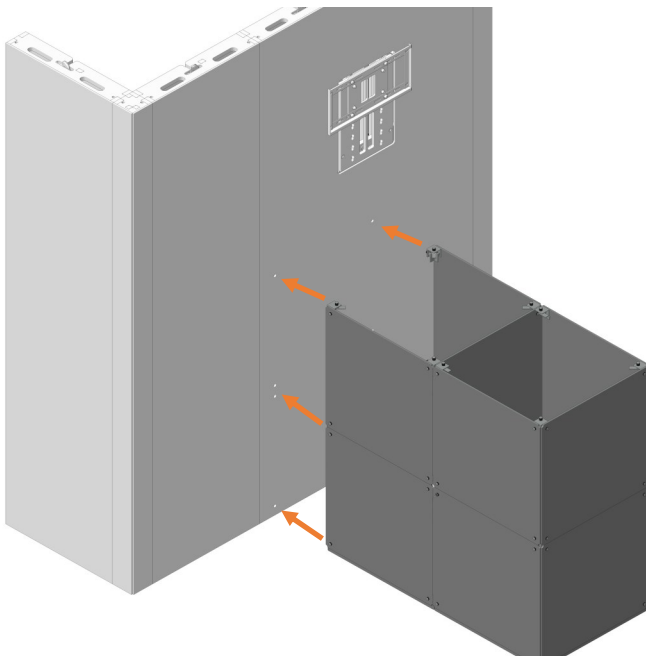


### STEP TWELVE

- Attach 6 panels
- Attach C2 connectors
- Attach C3 connectors

### STEP THIRTEEN

Line up the base to the connector holes in the TV SuperFlat. Using the same method of the base panels, attach and lock the 8 connectors into SuperFlat.



### STEP FOURTEEN

Line the top up so that the holes closest to the end are nearest to the SuperFlat. Lay top on the connectors and you should have an overhang on the sides and front. No need to lock the connections as the top will remain in place.

