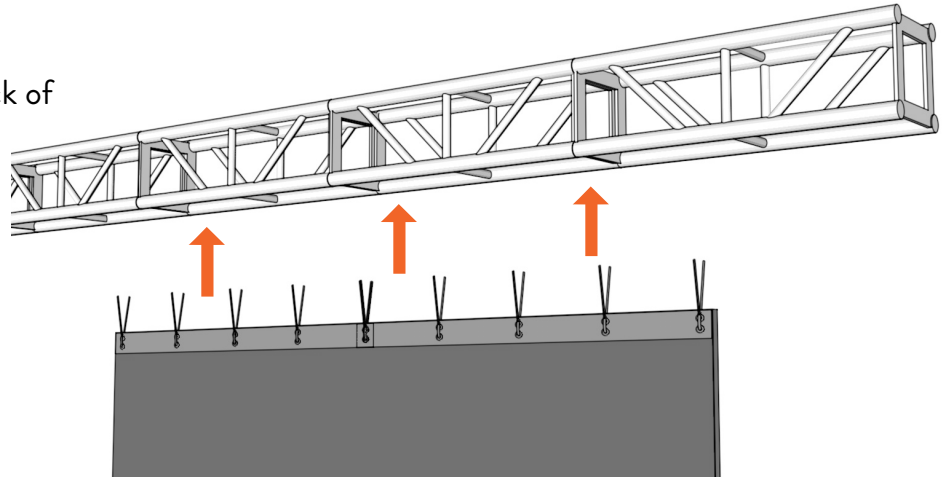


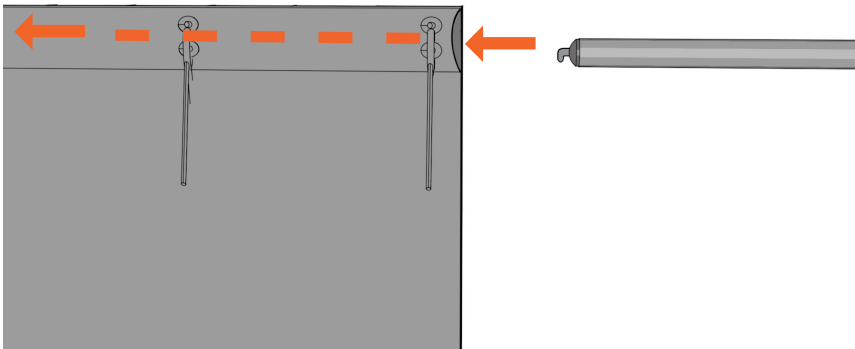
STEP ONE - TIELINE

Tie to pipe or truss using tieline on back of Blax.



STEP ONE - PIPE POCKET

Run crosspipe through hidden pipe pocket. Access holes are cut every 4' for Pipe access.



STEP TWO - PIPE POCKET

Attach crosspipe to pipe and base upright. Raise pipes to desired height.

