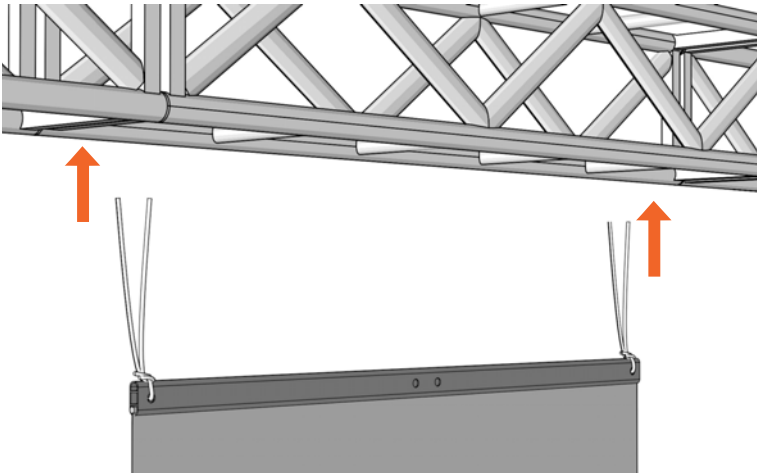


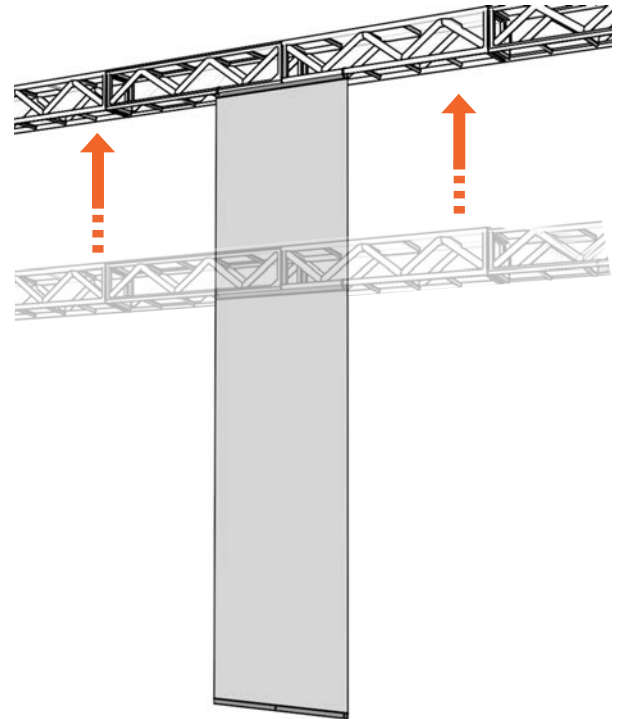
STEP ONE

Tie SuperLever Softgoods to pipe or truss using tieline.



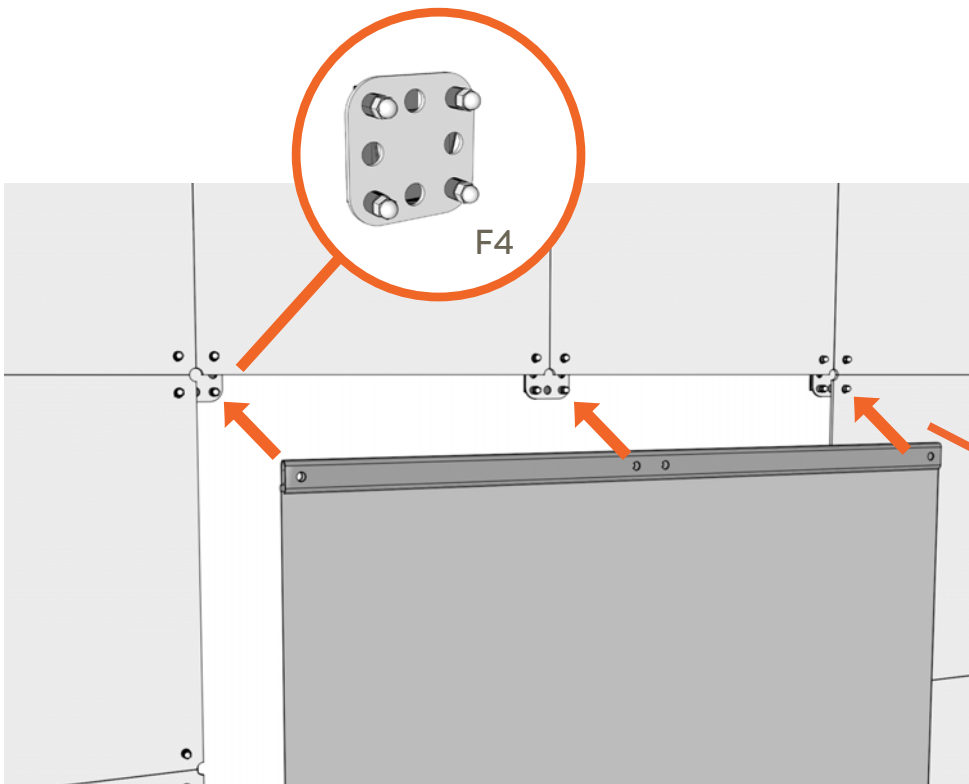
STEP TWO

Raise pipe or truss to desired height.



OR...

Attach SuperLever Softgoods to hanging backdrop using F4 connectors.



NOTE:

Open SuperLever by pulling up on lever, then lock into position by pushing down once inserted into holes. Always ensure that panel is flush against connector plate.

