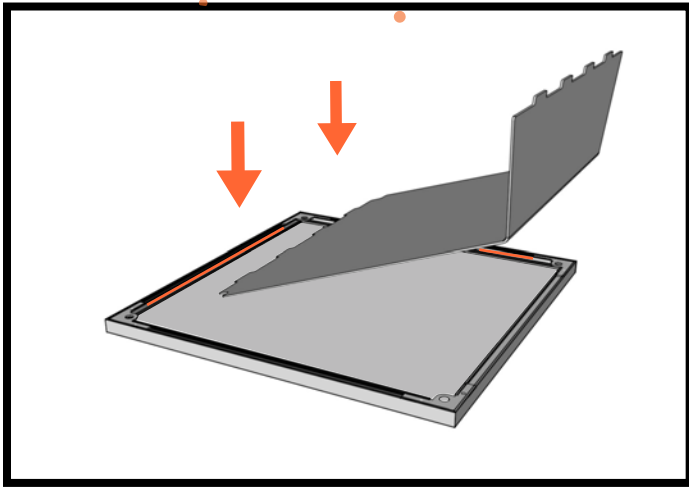
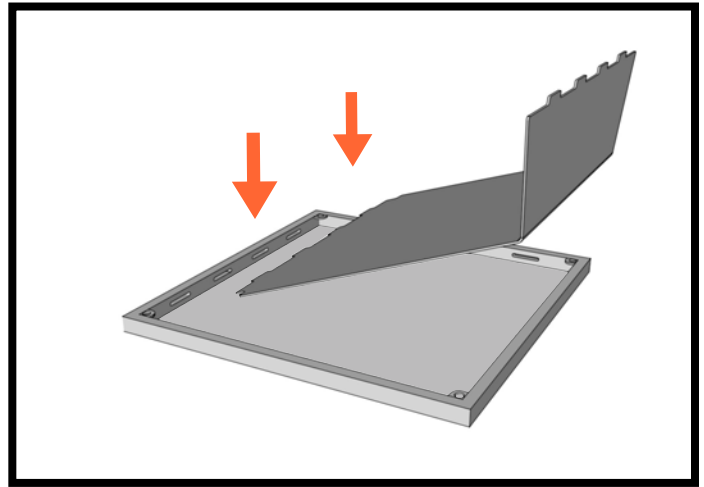


Channeled FABlok Frame

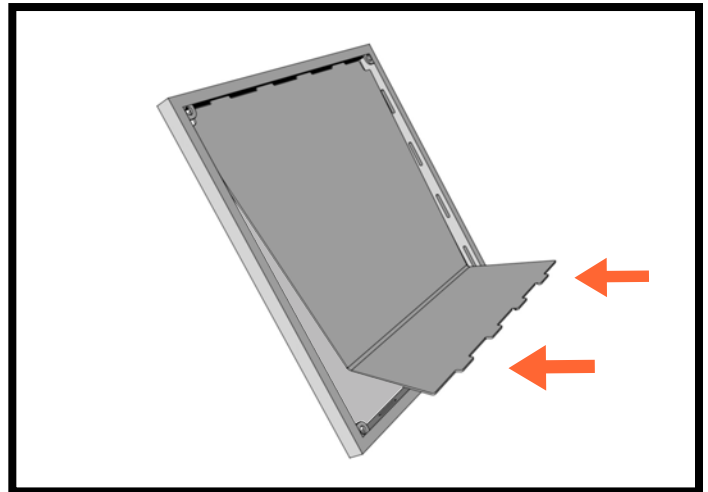
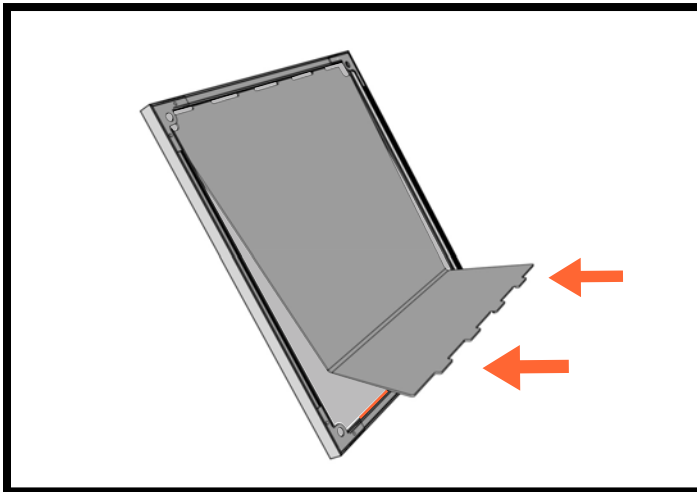


Place tabs into channel marked in orange.

Slotted FABlok Frame



Place tabs into frame slots as illustrated.



Bend Wedge insert into fabric, lifting the frame to allow the insert to bend into the fabric. Place bottom of Wedge insert into frame channels or slots.

