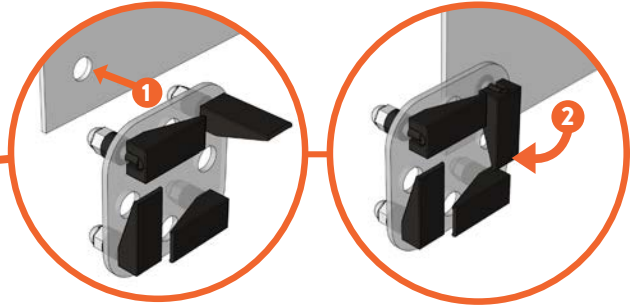
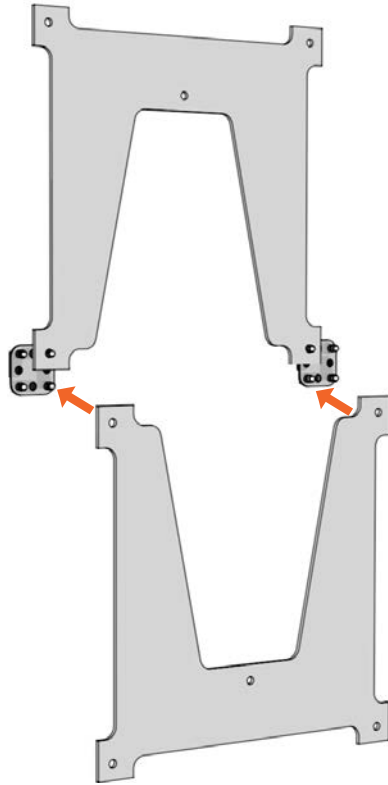


STEP ONE

Connect two un-panels using appropriate Superlever connector (see installation instructions for details).



STEP TWO

Attach F2 connectors to un-panels as shown.

STEP THREE

Attach insert to F2 connectors.

