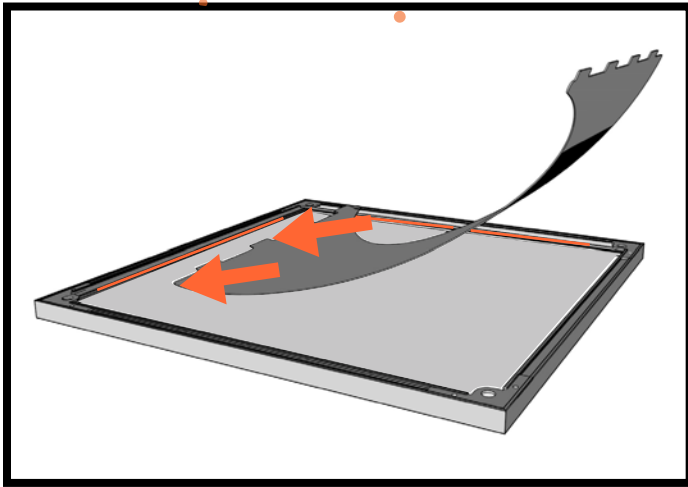
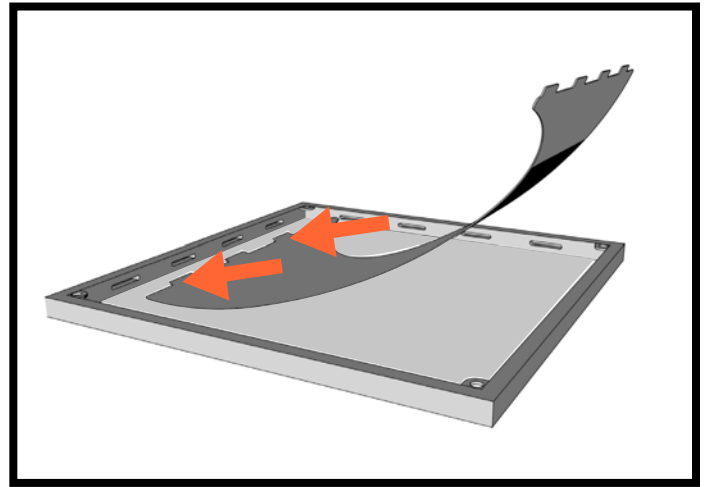


Channeled FABlok Frame

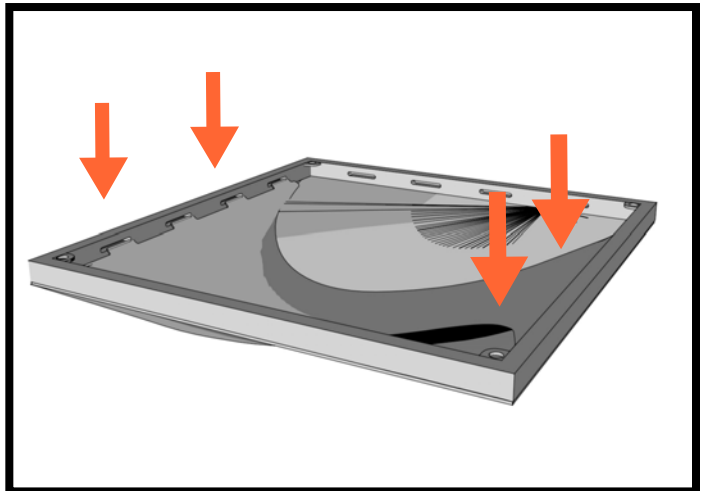
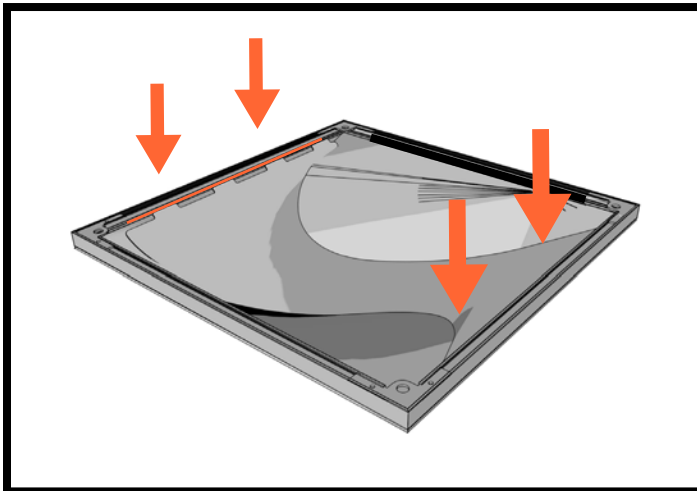


Place tabs into channel marked in orange.

Slotted FABlok Frame



Place tabs into frame slots as illustrated.



Bend Wave insert into fabric, lifting the frame to allow the insert to bend into the fabric. Place bottom of Wave insert into frame channels or slots.

