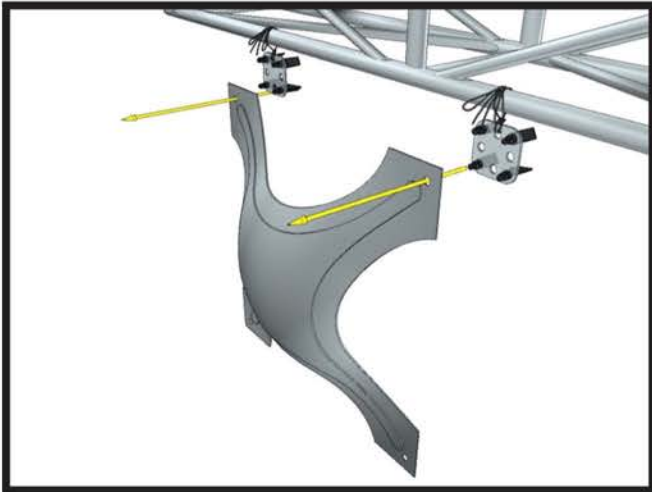


Dimensions: One panel
22.5"W X 22.5"H X 1/4"-6"D

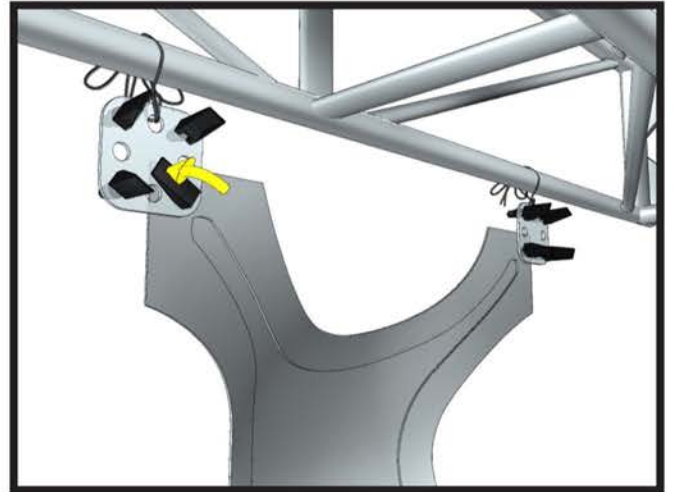
STEP ONE
Tie rope to large hole



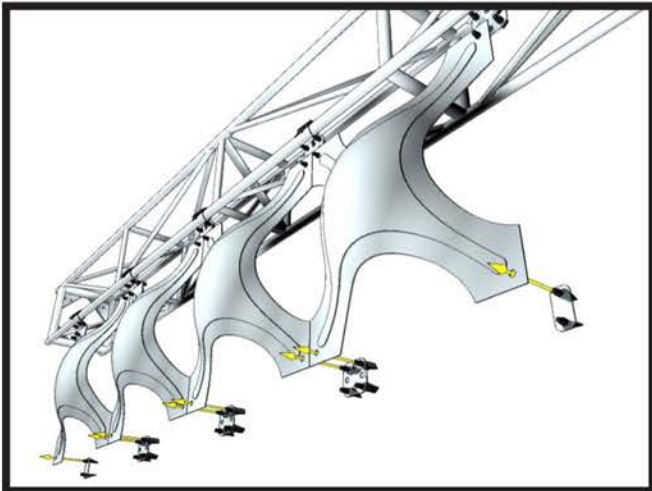
STEP TWO
Tie to truss



STEP THREE
Push latch down to fasten



STEP FOUR
Continue First Row



STEP FOUR
Lock Connectors as you go

