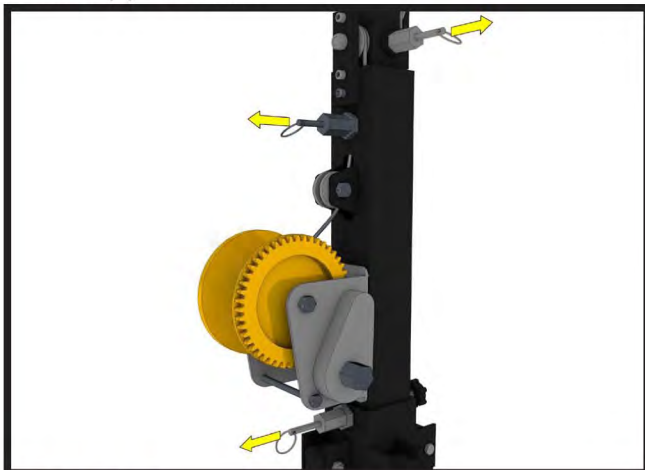




STEP ONE Extend support legs



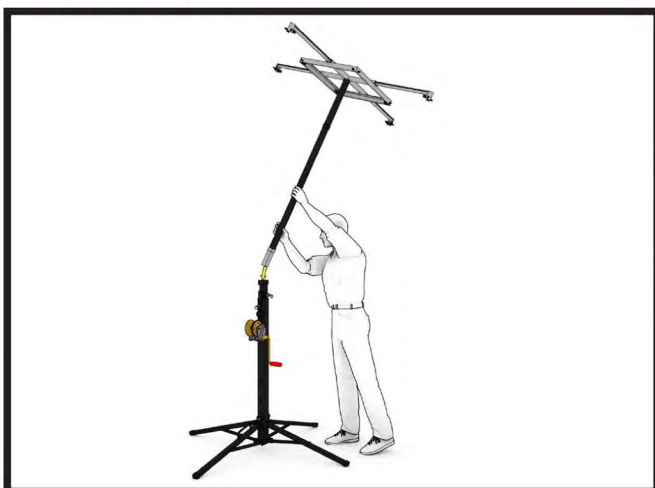
STEP TWO Release (3) Lock Pins



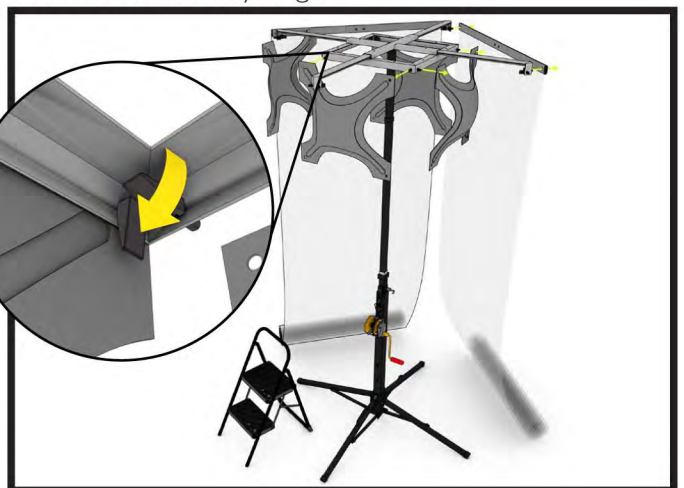
STEP THREE Insert top unit and optional extensions



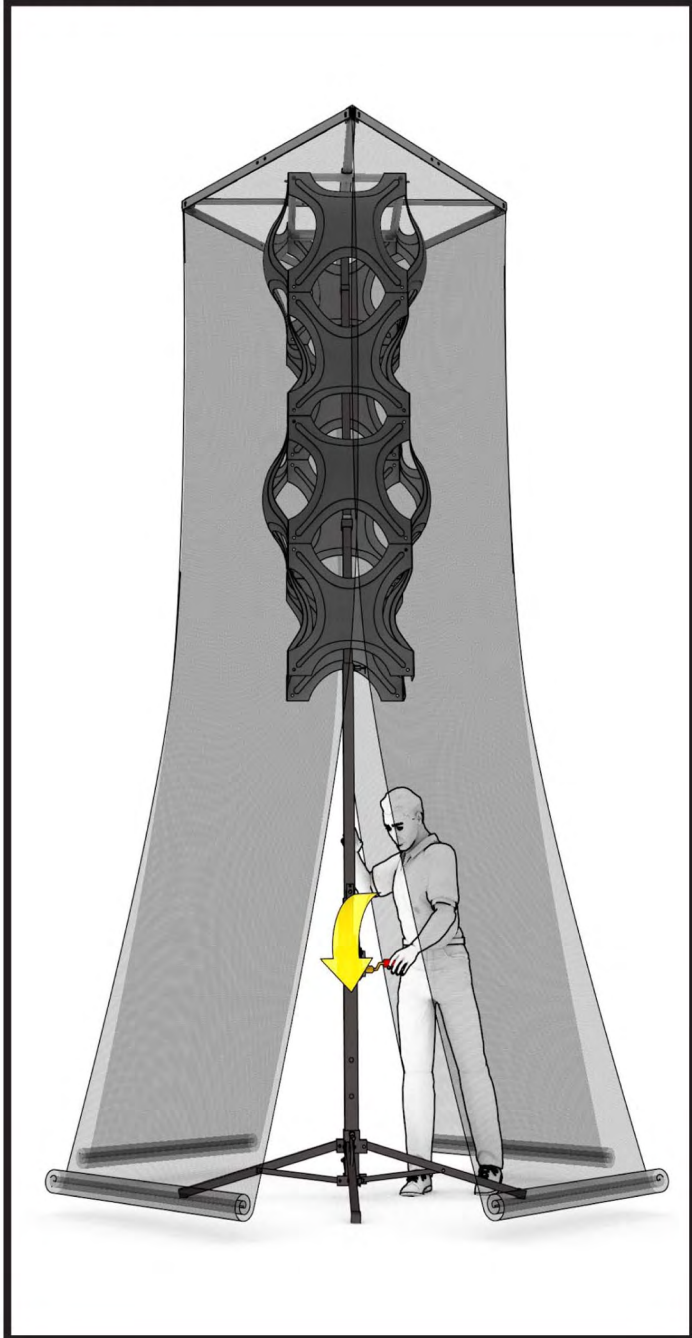
STEP FOUR Attach extension to base



STEP FIVE Lock Connectors as you go



STEP SIX
Crank to Raise



STEP SEVEN
Lock connectors as you go.....Par-tay

